

AlienFrac®

整体式AlienFrac软管，磐石级安全！
Bonded AlienFrac Hose, Rock-Solid Safety!

ACID FRAC HOSE CATALOG

酸化压裂软管产品手册

AlienFrac®

山东省青岛市黄岛区大场镇大营路16号
NO.16 DAYINGROAD, DACHANGTOWN,
HUAGNDAO,QINGDAO,SHANDONG,CHINA

国内业务 Domestic Business Dept

☎ 0532-55588511

✉ info@qingflex.com

🌐 www.qingflex.cn

国际业务 International Business Dept
International Business Dept

☎ +86-532-55588511

✉ aliendrill@qingflexgroup.com alienfrac@qingflexgroup.com info@qingflex.com

🌐 www.aliendrill.com www.qingflex.com

青岛青橡橡胶有限公司

QINGDAO QINGFLEX HOSE FACTORY

2025



目录 Contents

01

Enterprise Introduction

公司简介

Enterprise Introduction 公司简介	01
Company Culture 企业文化	03
Quality System And Certification 质量体系与认证	04
Certificate 证书	05
Company Honor 企业荣誉	06

02

Chemical resistance table

耐化学成分表

Chemical resistance table 耐化学成分表	09
--	----

03

AlienFrac Hose

压裂软管

Super Abrasion Resistant Acid Fracturing Hose (Crimped) 超耐磨酸化压裂软管(扣压式) A801N/FN	11
Super Abrasion Resistant Acid Fracturing Hose (Bonded) 超耐磨酸化压裂软管(粘合式) A804F	12
Acid Fracturing Hose Suction and Discharge Hose (Crimped) 酸化压裂吸排管(扣压式) A811	13
Fracturing Discharge Hose (Crimped) 压裂卸料管(扣压式) A812	14

04

Connector

端部连接

Flange 法兰 API 6A	16
Hammer Union 锤击由壬	18
Hubs 卡箍	20

公司简介

青岛青橡橡胶有限公司成立于2008年，注册资本1.68亿元，坐落在青岛西海岸新区（黄岛区），占地95000平方米，拥有500多名员工。

青岛青橡橡胶是国家高新技术企业，专业生产粘合式和扣压式酸化压裂软管、高压钻采软管和低压吸排软管，拥有多项发明专利、实用新型专利及全套检测设备。

青橡橡胶在马耳他设立了欧洲研发中心，设计和开发粘合式软管。产品均采用欧洲技术和欧洲设备制造而成。

AlienFrac超耐磨酸化压裂软管，工作压力达15,000PSI和20,000PSI，可有效替代钢管，安装更灵活，使用寿命更长，为客户提供方便和高效的解决方案。

我们的荣誉资质如下：

截止到2024年，我司累计获得发明专利和实用新型专利40余项

2024年，公司获得“一种酸化压裂软管及制备方法”PCT国际专利证书

2024年，公司获得“一种钢丝预埋一体式全口径酸化压裂软管总成及制备方法”发明专利证书

2024年，公司获得“一种防渗漏酸化压裂软管总成和软管”专利证书

2024年，公司获得“一种酸化压裂软管及制备方法”发明专利证书

2020年，公司荣获青岛市液压胶管及总成制造技术创新中心荣誉称号

2020年，公司荣获青岛市工业设计中心荣誉称号

2020年，公司荣获青岛市数字化车间荣誉称号

2019年，公司荣获青岛市专精特新示范企业的荣誉称号

2018年，公司获得“一种耐化学腐蚀的橡胶软管”专利证书

2017年，公司被评为“山东省著名商标”

2017年，公司成功在蓝海股权交易中心挂牌

2017年，公司被认定为青岛市企业技术中心

2016年，公司获得“高新技术企业认定”

2015年，公司获得“专精特新”产品认定

2014年，公司获得“安全标准化认定”

2008年，公司在青岛注册成立

Enterprise Introduction

Qingdao Qingflex Hose Factory was established in 2008, registered capital 168 million RMB, is located in Qingdao West Coast New Area (Huangdao District), covers an area of 95,000 square meters and has more than 500 workers.

Qingflex is a national high-tech enterprise, specializing in the production of bonded and crimped acid frac hoses, high-pressure drilling hoses and low-pressure suction and discharge hoses. We have a number of invention patents, utility model patents and a full set of testing equipment.

Qingflex has set up a European R&D center in Malta to design and develop bonded frac hoses and drilling hoses. All products are manufactured using European technology and European equipment.

AlienFrac Acid Fracturing Hose, with working pressures of 15,000PSI and 20,000PSI, can effectively replace steel pipes, with more flexible installation and longer service life, providing customers with more convenient and efficient solutions.

Our Honors and Qualifications as Follows:

As of 2024, Qingflex obtained more than 40 invention patents and utility model patents

In 2024, our company obtained the PCT international patent certificate for "Acid Fracturing Hose and Preparation Method"

In 2024, our company obtained the invention patent certificate for "A Steel Wire Bonded Integrated Full-diameter Acid Frac Hose Assembly and Preparation Method"

In 2024, our company obtained the patent certificate for "A Leak-proof Acid Fracturing Hose Assembly and Hose"

In 2024, our company obtained the invention patent certificate for "Acid Fracturing Hose and Preparation Method"

In 2020, our company won the honorary title of Qingdao Hydraulic Hose and Assembly

Manufacturing Technology Innovation Center

In 2020, our company won the honorary title of Qingdao Industrial Design Center

In 2020, our company won the honorary title of Qingdao Digital Workshop

In 2019, our company won the honorary title of Qingdao Specialized, Excellent and New Demonstration Enterprise

In 2018, our company obtained the patent certificate for "a chemical-resistant rubber hose"

In 2017, our company was rated as "Shandong Famous Brand"

In 2017, our company successfully listed on the Blue Ocean Equity Trading Center

In 2017, our company was recognized as Qingdao Enterprise Technology Center

In 2016, our company obtained the "High-tech Enterprise Certification"

In 2015, our company obtained the "Special, Excellent and New" product certification

In 2014, our company obtained the "Safety Standardization Certification"

In 2008, our company was registered and established in Qingdao

企业文化 COMPANY CULTURE

公司愿景：做高品质胶管世界级生产商

Our goal: To be world-class manufacturer of high quality rubber hoses

公司使命：让液压因青橡更安心

Our mission: QINGFLEX make hydraulic more secure

核心价值观：

Our core values:

人品、企品、产品三品合一

以客户为中心，以奋斗者为本

按部就班，持之以恒

诚实守信，言出必行

谦虚谨慎，如履薄冰

Combining of reputation of Character, Company and Product

Taking customers as the center, taking strivers as the base

Working step by step, persevering day by day

To be honest and promised, suiting the action to the word

To be modest and cautious, treading as on thin ice

质量体系与认证 QUALITY SYSTEM AND CERTIFICATION



GB/T 19001-2016 / ISO 9001: 2015
质量管理体系认证

GB/T 24001-2016 / ISO 14001: 2015
环境管理体系认证

GB/T 45001-2020 / ISO 45001: 2018
职业健康安全管理体系认证

API Q1, API 7K, API 16C 美国石油协会认证

MSHA 美国矿业安全和健康管理认证

MA 煤安认证

ROHS 欧盟化学安全认证

REACH 欧盟化学安全认证

PROP 65 美国加州65

GOST 俄罗斯GOST

EN45545 欧盟轨道交通车辆材料防火测试标准

DIN5510 机车材料毒烟测试标准

TB/T 3261-2011 机动车管路测试标准

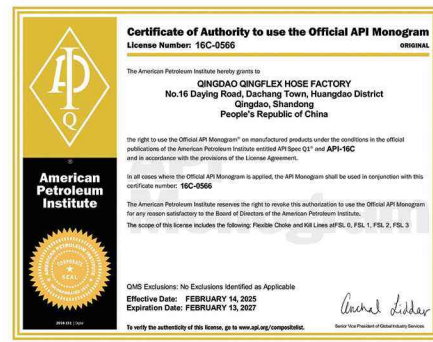
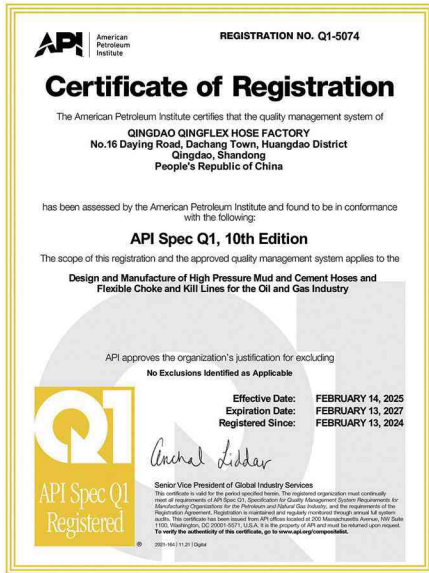
TB/T 3474.2-2018 机车车辆软管测试标准

Applying

ABS 美国船级社认证

DNV MED 挪威船级社认证

CCS 中国船级社认证



API

HONOR 企业荣誉



ISO

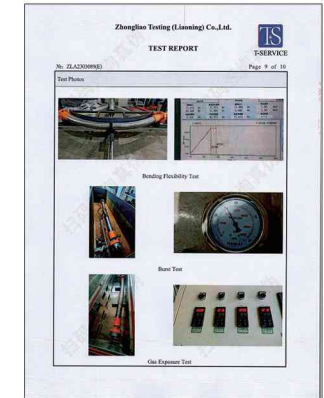
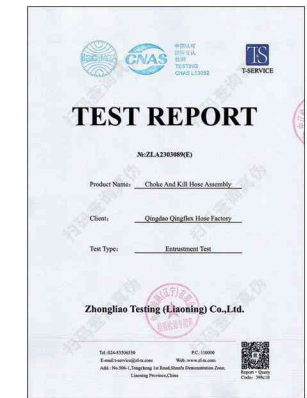


PATENT 专利证书



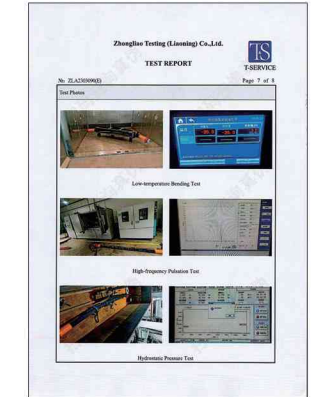
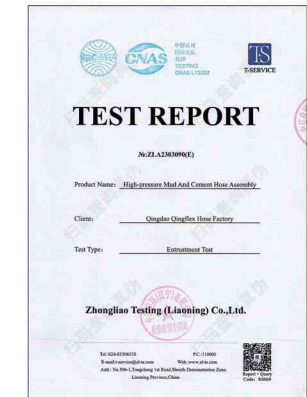
16C

检测报告




7K

检测报告



研发中心 R&D Center



RatingScale: 推荐等级 1.Recomended - Little to minor efect 1.推荐 - 影响很小到轻微 2.Minor to moderate effect 2.轻微至中度影响 X.Moderate to servere efect X.中度至严重效果 -.Not recommended -.不推荐		 Estimated chemical resistance of UHMW and HNBR base polymer used in AlienFrac®:							
		UHMW	HNBR	NBR	EPDM	CR	CSM	FKM	ACM
Steam-302°F(150°C)	150°蒸汽	-	2	-	1	-	-	X	-
Organic Acid	有机酸								
Acetic Acid(30%)	醋酸(30%)	1	2	2	1	1	1	2	-
Acid	酸								
Hydrochloric Acid(25%)	盐酸(25%)	1	1	2	1	2	1	1	-
Phosphoric Acid(20%)	磷酸(20%)	1	1	2	1	2	1	1	
Nitric Acid(25%)	硝酸(25%)	1	2	-	2	1	1	X	-
Alkali	碱								
Sodium Hydroxide(30%)	氢氧化钠(30%)	2	1	2	1	-	1	2	
Aqueous Ammonia(28%)	氨水(28%)	2	1	1	1	1	1	2	
Salt	盐								
Sodium Chloride(30%)	氯化钠(30%)	1	1	1	1	1	1	1	
Sodium Carbonate(10%)	碳酸钠(10%)	1	1	1	1	1	1	2	
Oxidizing Agent/氧化剂	氧化剂								
Hydrogen Peroxide(3%)	过氧化氢(3%)	1	2	X	2	X	1	1	
Sodium Hypochlorite(5%)	次氯酸钠(5%)	1	2	-	2	-	2	1	-
Aliphatic Hydrocarbon	脂肪族烃								
Iso Octane	异辛烷	1	1	1	-	2	2	1	1
Aromatic Hydrocarbon	芳香烃								
Toluene	甲苯	2	X	X	-	-	-	1	-
Chlorinated Hydrocarbon	氯化烃								
richlorethylene	三氯乙烯	2	X	X	-	-	-	1	
Alcohol	酒精								
Methyl Alcohol	甲醇	1	1	1	1	1	1	X	-
Ethyl Alcohol	乙醇	1	1	1	1	1	1	1	-
Ether	醚								
Ethyl Ether	乙醚	1	X	X	X	-	-	-	-
Ester	酯								
Ethyl Acetate	乙酸乙酯	1	-	-	2	X	X	X	
Ketone	酮								
Methyl Ethyl Keton	甲基乙基酮	1	-	-	1	-	-	-	-
Aldehyde	醛								
Furfural	糠醛	1	2	X	1	2	2	-	-
Amine	胺								
Triethanolamine	三乙醇胺	1	1	X	1	1	1	-	-
Carbon Disulfide	二硫化碳	1	X	X	-	-	-	-	-

AlienFrac

专利压裂软管

Patented Fracturing Hose

专利号
Patent No.:
US12109777B1
2024110344254
2023227713670
2023106317917



压裂软管系列 *AlienFrac*

超耐磨酸化压裂软管 A801N/FN (扣压式)

SUPER ABRASION RESISTANT ACID FRACTURING HOSE (CRIMPED)



胶管型号 Hose Part No.	内径 I.D.	外径 O.D.	工作压力 W.P.	试验压力 T.P.	最小弯曲半径 Min.B.R.	重量 Weight	流量 Volume	连接方式 Connection Type
	inch	mm	mm	psi	psi	mm	lbs/ft	bbbl/min
A801N-28-15K	1.77	45	96	15000	22500	600	9.7	9
A801FN-32-15K	2	51	109			700	14.3	12
A801N-36-15K	2.5	58	122			800	17.9	14.8
A801FN-40-15K	2.5	64	131			850	18.3	18.5
A801N-44-15K	3	70	135			1000	24.5	22
A801FN-48-15K	3	76	150			1000	27.6	26
A801N-28-20K	2	44	106	20000	30000	850	24	9
A801FN-32-20K	2	51	112			900	26	12
A801N-36-20K	2.5	57	126			1000	32	14.8
A801FN-40-20K	2.5	64	133			1000	36	18.5
A801N-44-20K	3	69	142			1200	40	22
A801FN-48-20K	3	76	145			1200	42	26

应用范围: 完井作业中的酸化压裂、加砂压裂、水力压裂管线，在高压下输送水基、油基、泡沫、酸基等压裂液
APPLICATION: Flexible line using for delivery water-based, oil-based, acid-based and foam fracturing fluids under high pressure in acid, sand and hydraulic fracturing works

温度 TEMPERATURE: -29°C ~ +100°C (-20°F ~ +212°F)

结构 CONSTRUCTION:
内层: UHMW及HNBR
Tube: UHMW and HNBR
增强层: 多层缠绕的高强度超柔钢丝
Reinforcement: Multi-layer of high tensile super flexible spiral steel wire
中间层: 合成橡胶
Middle: Synthetic rubber
外层: 耐磨、耐油、耐天候合成橡胶
Cover: Abrasion, oil and weather resistant synthetic rubber

接头: 扣压式接头，由壬、法兰、卡箍等
CONNECTION: Crimped couplings, hammer unions, flanges, hubs, etc.

包装: 成品总成包装在木箱中
PACKAGING: Finished assemblies packaged in wooden box.

选配: 可根据要求提供安全夹、软管吊眼、安全链和铠装等配件。每个订单都会附带测试证书。
OPTIONS: Accessories such as safety clamps, hose lift eyes, safety chains and armor are available upon request. Test certificates are shipped with every order.

压裂软管系列 *AlienFrac*

超耐磨酸化压裂软管A804F(整体式)

SUPER ABRASION RESISTANT ACID FRACTURING HOSE (BONDED)



胶管型号 Hose Part No.	内径 I.D.	外径 O.D.	工作压力 W.P.	试验压力 T.P.	最小弯曲半径 Min.B.R.	重量 Weight	流量 Volume	连接方式 Connection Type
	inch	mm	mm	psi	psi	mm	lbs/ft	bbbl/min
A804F-32-15K	2	51	96	15000	22500	600	10.24	12
A804F-40-15K	2.5	64	115			700	16.4	18.5
A804F-48-15K	3	76	137			950	17.8	26.2
A804F-56-15K	3.5	89	175			1100	27.8	35.8
A804F-64-15K	4	102	181			1200	40.1	47
A804F-80-15K	5	130	200			1500	52.4	120
A804F-96-15K	6	153	230	1650	66.8	140		
A804F-112-15K	7	230	280	1760	85	180		
A804F-32-20K	2	51	137	20000	30000	800	15.6	12
A804F-40-20K	2.5	64	164			900	21.14	18.5
A804F-48-20K	3	76	176			1150	23.7	26.2

应用范围: 完井作业中的酸化压裂、加砂压裂、水力压裂管线，在高压下输送水基、油基、泡沫、酸基等压裂液
APPLICATION: Flexible line using for delivery water-based, oil-based, acid-based and foam fracturing fluids under high pressure in acid, sand and hydraulic fracturing works

温度 TEMPERATURE: -30°C ~ +100°C (-22°F ~ +212°F)

结构 CONSTRUCTION:
内层: UHMW及HNBR
Tube: UHMW and HNBR
增强层: 多层缠绕的高强度超柔钢丝
Reinforcement: Multi-layer of high tensile super flexible spiral steel wire
中间层: 合成橡胶
Middle: Synthetic rubber
外层: 耐磨、耐油、耐天候合成橡胶
Cover: Abrasion, oil and weather resistant synthetic rubber

接头: 整体式接头，由壬、法兰、卡箍等
CONNECTION: Built-in couplings, hammer unions, flanges, hubs, etc.

包装: 成品总成包装在木箱中
PACKAGING: Finished assemblies packaged in wooden box.

选配: 可根据要求提供安全夹、软管吊眼、安全链和铠装等配件。每个订单都会附带测试证书。
OPTIONS: Accessories such as safety clamps, hose lift eyes, safety chains and armor are available upon request. Test certificates are shipped with every order.

压裂软管系列 *AlienFrac*

酸化压裂吸排管A811 (扣压式)

ACID FRACTURING SUCTION AND DISCHARGE HOSE (CRIMPED)



胶管型号 Hose Part No.	内径 I.D.		外径 O.D.	工作压力 W.P.	爆破压力 B.P.	最小弯曲半径 Min.B.R.	重量 Weight
	inch	mm	mm	psi	psi	mm	kg/m
A811-32	2	51	66.00	500	2000	500	4.00
A811-40	3	76	98.30	500	2000	650	6.80
A811-64	4	102	129.00	500	2000	800	9.05

应用范围: 吸排石油和天然气井增产和水力压裂中使用的石油基流体、稀酸、化学和磨蚀性浆液。
APPLICATION: Suction and discharge use of petroleum based fluids, dilute acids, chemical and abrasive slurries used in oil and gas well stimulation and fracking.

温度 TEMPERATURE: -40°C ~ +82°C (-40°F ~ +180°F)

结构 CONSTRUCTION:
内层: UHMW及合成橡胶
Tube: UHMW and synthetic rubber
增强层: 多层高强度合成纤维和螺旋钢丝
Reinforcement: Multi-layer of high tensile synthetic textile and steel helix wire
中间层: 合成橡胶
Middle: Synthetic rubber
外层: 高性能耐磨、耐天候合成橡胶
Cover: High performance abrasion and weather resistant synthetic rubber

接头: 扣压式接头, 由壬、法兰、卡箍等
CONNECTION: Crimped couplings, hammer unions, flanges, hubs, etc.

包装: 成品总成包装在胶合板箱中
PACKAGING: Finished assemblies packaged in plywood box.

选配: 可根据要求提供安全夹、软管吊眼、安全链和铠装等配件。每个订单都会附带测试证书。
OPTIONS: Accessories such as safety clamps, hose lift eyes, safety chains and armor are available upon request. Test certificates are shipped with every order.

压裂软管系列 *AlienFrac*

耐磨压裂卸料管 A812 (扣压式)

ABRASION FRACTURING DISCHARGE HOSE (CRIMPED)



胶管型号 Hose Part No.	内径 I.D.		外径 O.D.	工作压力 W.P.	最小弯曲半径 Min.B.R.	重量 Weight
	inch	mm	mm	psi	mm	kg/m
A812-32	2	51	66.00	400	400	1.97
A812-40	3	76	98.30	400	450	3.74
A812-64	4	102	120.85	400	550	4.21

应用范围: 排放石油和天然气井增产和水力压裂中使用的石油基流体、稀酸、化学和磨蚀性浆液。
APPLICATION: Discharge use of petroleum based fluids, dilute acids, chemical and abrasive slurries used in oil and gas well stimulation and fracking.

温度 TEMPERATURE: -40°C ~ +82°C (-40°F ~ +180°F)

结构 CONSTRUCTION:
内层: 合成橡胶
Tube: Synthetic rubber
增强层: 多层高强度合成纤维
Reinforcement: Multi-layer of high tensile synthetic textile
中间层: 合成橡胶
Middle: Synthetic rubber
外层: 高性能耐磨、耐天候合成橡胶
Cover: High performance abrasion and weather resistant synthetic rubber

接头: 扣压式接头, 由壬、法兰、卡箍等
CONNECTION: Crimped couplings, hammer unions, flanges, hubs, etc.

包装: 成品总成包装在胶合板箱中
PACKAGING: Finished assemblies packaged in plywood box.

选配: 可根据要求提供安全夹、软管吊眼、安全链和铠装等配件。每个订单都会附带测试证书。
OPTIONS: Accessories such as safety clamps, hose lift eyes, safety chains and armor are available upon request. Test certificates are shipped with every order.

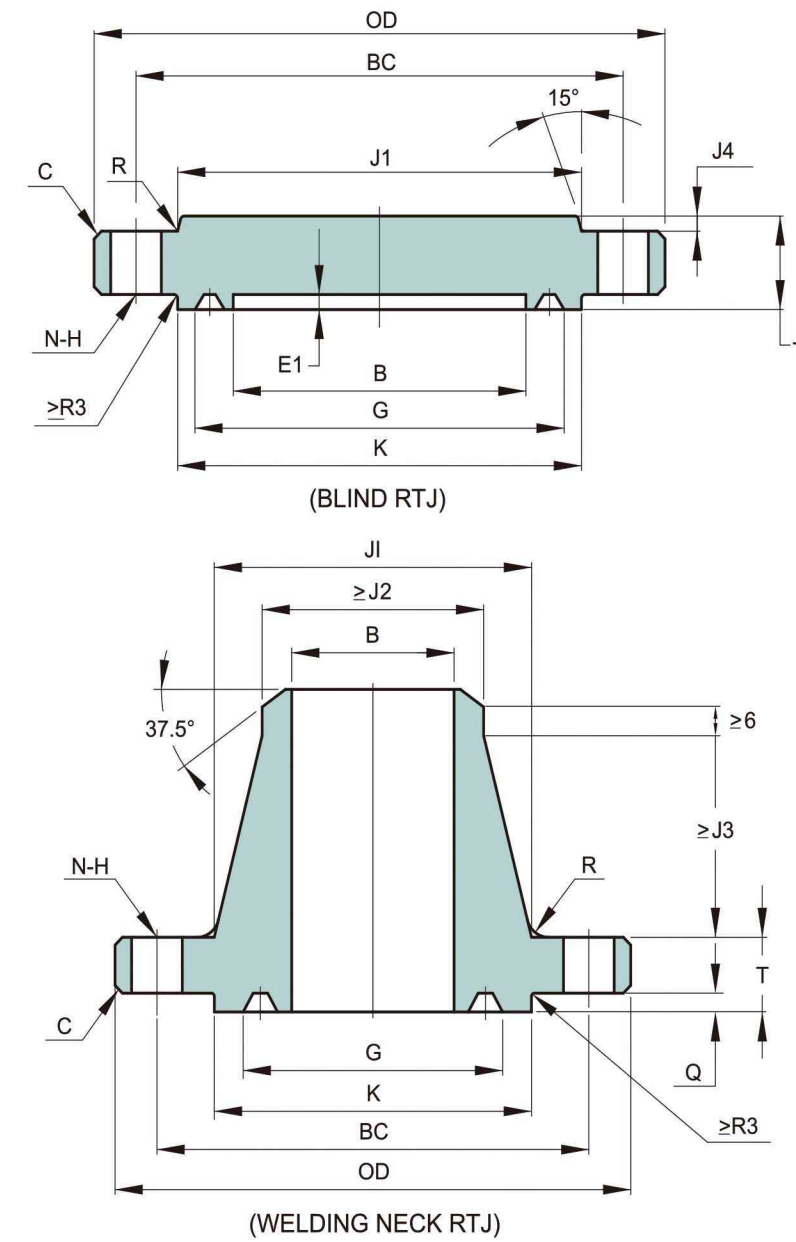
END CONNECTOR

端部连接



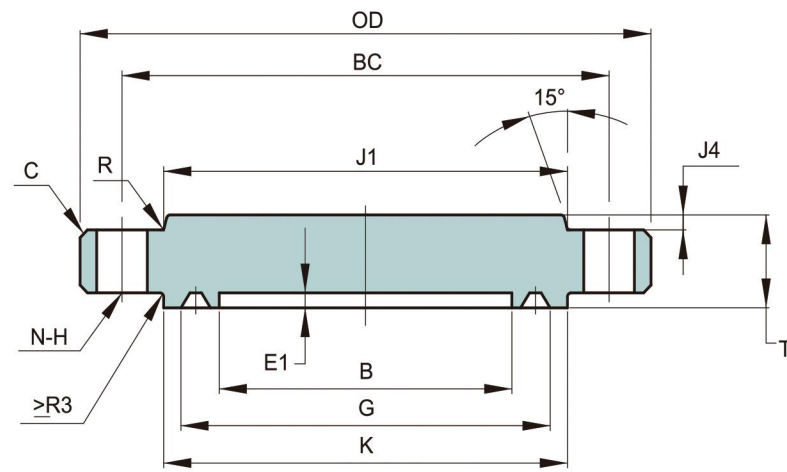
法兰 API 6A Flanges

API 6A - 6BX 103.5 MPA (15000 PSI)

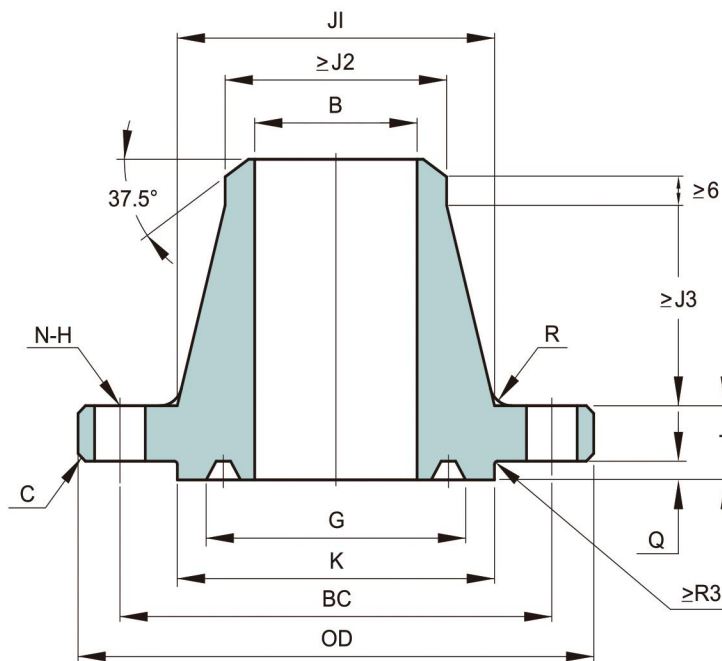


Size	B	OD	C	E1	Q MAX.	G	K	T	J1	J3	J4	R	BC	N	H	Ring No. BX	
1 13/16 "	46.8	210	3	-	5.56	77.77	106	45.3	97.6	71.4	47.6	-	10	160.3	8	26	151
2 1/16 "	53.2	220	3	-	5.95	86.23	114	50.8	111.1	82.5	54	-	10	174.6	8	26	152
2 9/16 "	65.9	255	3	-	6.75	102.77	133	57.2	128.6	100	57.1	-	10	200	8	29	153
3 1/16 "	78.6	290	3	-	7.54	119	154	64.3	154	122.2	63.5	-	10	230.2	8	32	154
4 1/16 "	104.0	360	3	-	8.33	150.62	194	78.6	195.3	158.7	73	-	10	290.5	8	39	155
5 1/8 "	131.0	420	3	9.5	9.53	176.66	225	98.5	244.5	200	81.8	6.4	16	342.9	12	42	169
7 1/16 "	180.2	505	3	11.1	11.11	241.83	305	119.1	325.4	276.2	92.1	7.9	16	428.6	16	42	156
9 "	229.4	650	6	12.7	12.70	299.06	381	146.1	431.8	349.2	123.8	14.2	16	552.40	16	51	157
11 "	280.2	815	6	14.3	14.29	357.23	454	187.4	584.2	427.0	235.7	12.7	16	711.20	20	54	158
13 5/8 "	346.9	885	6	15.9	15.88	432.64	541	204.8	595.3	528.6	114.3	17.5	25	771.50	20	61	159
18 3/4 "	477.0	1160	6	18.3	18.26	577.90	722	255.6	812.8	730.2	155.6	35.1	25	1016.00	20	80	164

API 6A - 6BX 138.0 MPA (20000 PSI)



(BLIND RTJ)



(WELDING NECK RTJ)

Size	B	OD	C	E1	Q MAX.	G	K	T	J1	J2	J3	J4	R	BC	N	H	Ring No. BX
1 13/16 "	46.8	255	3	-	5.56	77.77	117	63.5	133.4	109.5	49.2	-	10	203.2	8	29	151
2 1/16 "	53.2	285	3	-	5.95	86.23	132	71.5	154.0	127.0	52.4	-	10	230.2	8	32	152
2 9/16 "	65.9	325	3	-	6.75	102.77	151	79.4	173.0	144.5	58.7	-	10	261.9	8	35	153
3 1/16 "	78.6	355	3	-	7.54	119	171	85.8	192.1	160.3	63.5	-	10	287.3	8	39	154
4 1/16 "	104	445	3	-	8.33	150.62	219	106.4	242.9	206.4	73.0	-	10	357.2	8	48	155
7 1/16 "	180.2	655	6	11.1	11.11	241.83	352	165.1	385.8	338.1	96.8	7.9	16	554	16	54	156
9 "	229.4	805	6	12.7	12.7	299.06	441	204.8	481.0	428.6	107.9	6.4	25	685.8	16	67	157
11 "	280.2	885	6	14.3	14.29	357.23	505	223.9	566.7	508.0	103.2	12.7	25	749.3	16	74	158
13 5/8 "	346.9	1160	6	15.9	15.88	432.64	614	292.1	693.7	628.6	133.3	14.2	25	1016	20	80	159

锤击由壬 Hammer Union

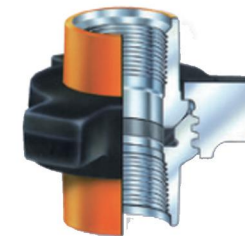
高压由壬引进国际先进技术，采用高强度合金钢锻造而成，严格的热处理确保接头有均匀一致的金相组织和承压能力，所使用材料完全符合美国ASTM和AISI标准，产品技术指标完全符合API标准，产品密封可靠，装卸快捷、通用互换性好。产品接头可用管线螺纹、油管螺纹、对焊式或无压密封端部连接。

注：DIC=可锻铸铁 SC=铸钢 SF=锻钢 AS=合金钢

High pressure union is forged and made of high strength alloy steel with imported world-class technology. Strict heat treatment ensures uniform metallographic structure and bearing capacity in the connector. The materials used fully comply with ASTM and AISI of USA, and the technical indicates of the product with API standard. The product is tight and reliable, and provides easy mounting and dismantling and good exchangeability. The connector of the product allows connection for pipeline thread, oil tube thread and butt weld or pressureless seal end.

Note: DIC = ductile iron casting SC = steel casting SF = steel forging AS = alloy steel

FIG 602



装有弹性丁腈橡胶密封环，用于密封并保护由壬钢对钢的配合。推荐用于歧管管线连接、车载及泥浆输送场合，可用于无压密封由壬。采用对焊Sch.80。

With resilient nitrile-butadiene rubber seal ring, this figure is used for sealing and protecting the steel-to-steel match. It is recommended for the connection of manifold and pipe and truck-mounted application and mud delivery. It may be used as pressureless seal union with butt weld Sch.80.

Nominal pipe size		Total length		Pipck bore		Nut radius		Materials Part		Weight	
in	mm	in	mm	in	mm	in	mm	Nut	Part	lbs	kgs
1	25.4	317/32	89.7	44930	6.4	26/18	58.75	SF	SF	3.5	1.6
2	50.8	18719	133.3	44930	6.4	30/18	90.5	SF	SF	13.25	5.9
3	76.2	23224	161.92	44993	9.5	16650	117.5	SF	SF	21	9.5
4	101.6	81/18	208	44993	9.5	18719	133.4	SF	SF	33	15

602型6000PSI NSCW P，测试压力9000PSI 黑色螺母，橙色零件。

For figure 602, 6000PSI NSCW P, test pressure at 9000PSI with black nut and orange parts

FIG 1502



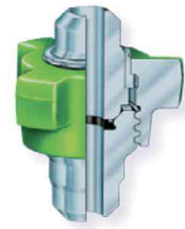
配有可更换的弹性丁腈橡胶密封环，坚固壁厚设计用于高压系统。推荐用于注水泥、压裂、酸化、测试及堵塞和压井管线，也可用于无压密封连接，采用对焊Sch XXH。

With replaceable resilient nitrile-butadiene rubber seal ring and robust wall thickness design, this figure is used in high-pressure system. It is recommended for cement filling, fracturing, acidizing, testing and choke and kill line. Also, it may be used in pressureless seal connection. Butt weld Sch. XXH is desired.

Nominal pipe size		Total length		Pipe bore		Nut radius		Materials		Weight	
in	mm	in	mm	in	mm	in	mm	Nut	Part	lbs	kgs
1 1/2	38.1	5 13/32	137	1/4	6.4	3 21/32	93	SF	SF	12	5.4
2	50.8	7	177.8	16/84	6	3 3/4	95.3	SF	SF	21	9.5
3	76.2	7 6/8	193.7	3/8	9.5	4 1/2	114.3	SF	SF	31	14.1

1502型15000PSI NSCWP，测试压力22500PSI 蓝色螺母，红色零件。
For figure 1502, 1500PSI NSCWP, test pressure at 22500PSI with blue nut and red parts

FIG 2002



此种由壬只有2in一种风格，配有一个可更换的弹性丁腈橡胶密封环组合在不锈钢衬管中，在超压力应用场合提供完全的挤压保护。可拆开的螺母/扇形环/持环设计简化了螺母从管道上的拆卸。高、中、低压由壬
For this union, only the 2in type is available with a replaceable resilient nitrile-butadiene rubber seal ring combined in the stainless steel liner tube, providing complete compression protection in application with extra high pressure. The design of detachable nut/segment ring/retainer ring simplifies the removal of the nut from the piping.

Nominal pipe size		Total length		Nut radius		Materials		Weight	
in	mm	in	mm	in	mm	Nut	Part	lbs	kgs
2	50.8	7 3/8	187.32	3 11/18	93.66	SF	AS	22.5	10.2

FIG 2202



配有氟化橡胶密封环，15000PSI NSCWP,热处理部件100%经过硬度测试，符合美国腐蚀工程师标准协会MR-01-75和美国石油学会RP-14E标准。

专门用于酸性气体使用场合。绿色螺母，绿色零件。

注：DIC=可锻铸铁 SC=铸钢 SF=锻钢 AS=合金钢

With fluoroelastomer seal ring, 15000PSI NSCWP and the heat-treated parts 100% subjected to hardness test, this model complies with National Association of Corrosion Engineers Standard MR-01-75 and American Petroleum Institute RP-14E.

This product is designated for application with acid gases. Green nuts and parts. Note: DIC = ductile iron casting SC = steel casting SF = steel forging AS = alloy steel

卡箍 Hubs

