

AlienFrac
AlienDrill
Powering Oilfield Worldwide



AlienFrac
AlienDrill

Powering Oilfield Worldwide

山东省青岛市黄岛区大场镇大营路16号
NO.16 DAYINGROAD, DACHANGTOWN,
HUAGNDAO,QINGDAO,SHANDONG,CHINA

国内业务 Domestic Business Dept

0532-55588512

aliendrill@qingflexgroup.com alienfrac@qingflexgroup.com info@qingflex.com

www.qingflex.cn

国际业务 International Business Dept
International Business Dept

+86-532-55588511 +86-532-55588592

aliendrill@qingflexgroup.com alienfrac@qingflexgroup.com info@qingflex.com

www.qingflex.com www.aliendrill.com

青岛青橡橡胶有限公司

QINGDAO QINGFLEX HOSE FACTORY

OILFIELD HOSE CATALOGUE

石油钻采软管产品手册

2024



目录 CONTENTS

公司简介 ENTERPRISE INTRODUCTION	01
流量表 FLOW RATE	09
压裂软管 ALIENFRAC HOSE	10
超耐磨酸化压裂软管 SUPER ABRASION RESISTANT ACID FRACTURING HOSE	11
双层树脂超耐磨酸化压裂软管 DOUBLE RESIN SUPER ABRASION RESISTANT ACID FRACTURING HOSE	12
酸化压裂吸排管 ACID FRACTURING SUCTION AND DISCHARGE HOSE	14
耐磨压裂卸料管 ABRASION FRACTURING DISCHARGE HOSE	15
钻采软管 ALIENDRILL HOSE	16
高压水泥软管 HIGH PRESSURE CEMENT HOSE	17
旋转钻井和减振软管 ROTARY DRILLING AND VIBRATOR HOSE	21
细孔旋转钻井软管 SLIM HOLE ROTARY DRILLING HOSE	27
柔性节流和压井软管 FLEXIBLE CHOKE AND KILL HOSE	28
BOP 井控软管 BOP CONTROL HOSE	32
柔性流送软管 FLOW LINE HOSE	34
耐火张力胶管 FIRE-RATED TENSIONER HOSE	35
陆上/海上低压软管 ONSHORE/OFFSHORE LOW PRESSURE HOSE	36
多功能输送软管 MUTI-PURPOSE DELIVERY HOSE	37
粉体（重晶石/水泥）输送软管 POWDER (BARITE/CEMENT) DELIVERY HOSE	38
多功能吸排软管 MUTI-PURPOSE SUCTION AND DISCHARGE HOSE	39
粉体（重晶石/水泥）吸排软管 POWDER (BARITE/CEMENT) SUCTION AND DISCHARGE HOSE	40
海水喷射软管 LEG JETTING HOSE	41

防火软管 FIRE PROOF HOSE	42
饮用水/FDA软管 POTABLE WATER/FDA HOSE	43
大口径吸排胶管 LARGE-DIAMETER SUCTION AND DISCHARGE HOSE	44
工业胶管 INDUSTRIAL HOSE	45
轻型空气管 LIGHT DUTY AIR HOSE	46
空气管 AIR HOSE	46
EPDM可折叠水管 EPDM WATER LAYFLAT HOSE	47
吸排水管 WATER SUCTION & DISCHARGE HOSE	48
防火海水输送管 FIRE-RATED SEAWATER HOSE	49
输油管 OIL DELIVERY HOSE	50
重型输油管 HEAVY DUTY OIL DELIVERY HOSE	50
吸排油管 OIL SUCTION & DISCHARGE HOSE	51
重型吸排油管 HEAVY DUTY OIL SUCTION & DISCHARGE HOSE	51
多功能油管 MULTIPURPOSE OIL HOSE	52
防火输油软管 FIRE-RATED OIL HOSE	53
酸碱化学输送管 ACID-SOLVENT CHEMICAL DELIVERY HOSE	54
酸碱化学吸排管 ACID-SOLVENT CHEMICAL SUCTION & DISCHARGE HOSE	55
混凝土管 CEMENT DELIVERY HOSE	56
重型混凝土吸排管 HEAVY DUTY CEMENT SUCTION & DISCHARGE HOSE	57
物料吸排管 BULK MATERIAL SUCTION & DISCHARGE HOSE	58
液态低温二氧化碳管 LIQUID CO2 HOSE	59
液压软管 HYDRAULIC HOSE	60
端部连接 CONNECTOR	61
法兰 API 6A FLANGES API 6A FLANGES	62
锤击由壬 HAMMER UNION	70

公司简介

青岛青橡橡胶有限公司成立于2008年，注册资本1.68亿元，坐落在青岛西海岸新区（黄岛区），占地95000平方米，拥有500多名员工。

青橡橡胶是国家级高新技术企业，公司与青岛科技大学合作，专业生产整体式和扣压式高压石油软管、酸化压裂软管和低压输送软管，拥有UNIFLEX品牌扣压机，多项专利及全套检测设备。

青橡橡胶于2024年在马耳他建立了欧洲技术中心，设计和研发整体式的酸化压裂软管和石油钻采软管。此项产品也正在申请ABS, DNV, CCS认证。

我司生产的AllienDrill石油软管，包含API-7K 高压水泥软管、旋转钻井和减振软管、API-16C 节流和压井软管、API-16D BOP防喷器控制软管等，采用现代机器和技术生产，为全球油田提供动力。AlienFrac超耐磨酸化压裂软管，工作压力达15,000PSI和20,000PSI，可有效替代钢管，安装更灵活，使用寿命更长，为客户提供方便和高效的解决方案。

我们的荣誉资质如下：

截止2024年，我司累计获得发明专利5项，实用新型专利40余项：

2024年，公司获得“一种酸化压裂软管及制备方法”发明专利证书

2020年，公司荣获青岛市液压胶管及总成制造技术创新中心荣誉称号

2020年，公司荣获青岛市工业设计中心荣誉称号

2020年，公司荣获青岛市数字化车间荣誉称号

2019年，公司荣获青岛市专精特新示范企业的荣誉称号

2018年，公司获得“一种耐化学腐蚀的橡胶软管”专利证书

2017年，公司被评为“山东省著名商标”

2017年，公司成功在蓝海股权交易中心挂牌

2017年，公司被认定为青岛市企业技术中心

2016年，公司获得“高新技术企业认定”

2015年，公司获得“专精特新”产品认定

2014年，公司获得“安全标准化认定”

2008年，公司在青岛注册成立

Enterprise Introduction

Qingdao Qingflex Hose Factory was established in 2008, registered capital 168 million RMB, is located in Qingdao West Coast New Area (Huangdao District), covers an area of 95,000 square meters and has more than 500 workers.

Qingflex is a national high-tech enterprise, cooperates with Qingdao University of Science and Technology and focuses on R&D and production of built-in and crimped high-pressure oilfield hoses, acid fracturing hoses and low-pressure delivery hoses, has UNIFLEX crimping machine, multiple patents and a full set of testing equipment.

Qingflex set up European Technical Center in Malta in 2024 to develop the built in frac hose and api hose. We are applying ABS, DNV, CCS for these products too.

Qingflex AllienDrill hoses, including API 7K Cement Hose, Rotary Drilling and Vibrator Hose, API 16C Choke and Kill Hose, API 16D BOP Control Hose, etc. are produced by modern machines and technology, powering the oilfield worldwide. AlienFrac Acid Fracturing Hose, with working pressures of 15,000PSI and 20,000PSI, can effectively replace steel pipes, with more flexible installation and longer service life, providing customers with more convenient and efficient solutions.

Our Honors and Qualifications as Follows:

Until 2024, we have got 5 items patents of invention and more than 40 items patents for utility models.

In 2024, our company obtained the invention patent certificate for "Acidified Fracturing Hose and Preparation Method"

In 2020, our company won the honorary title of Qingdao Hydraulic Hose and Assembly Manufacturing Technology Innovation Center

In 2020, our company won the honorary title of Qingdao Industrial Design Center

In 2020, our company won the honorary title of Qingdao Digital Workshop

In 2019, our company won the honorary title of Qingdao Specialized, Excellent and New Demonstration Enterprise

In 2018, our company obtained the patent certificate for "a chemical-resistant rubber hose"

In 2017, our company was rated as "Shandong Famous Brand"

In 2017, our company successfully listed on the Blue Ocean Equity Trading Center

In 2017, our company was recognized as Qingdao Enterprise Technology Center

In 2016, our company obtained the "High-tech Enterprise Certification"

In 2015, our company obtained the "Special, Excellent and New " product certification

In 2014, our company obtained the "Safety Standardization Certification"

In 2008, our company was registered and established in Qingdao

企业文化 COMPANY CULTURE

公司愿景：做高品质胶管世界级生产商

Our goal: To be world-class manufacturer of high quality rubber hoses

公司使命：让液压因青橡更安心

Our mission: QINGFLEX make hydraulic more secure

核心价值观：

Our core values:

人品、企品、产品三品合一

以客户为中心，以奋斗者为本

按部就班，持之以恒

诚实守诺，言出必行

谦虚谨慎，如履薄冰

Combining of reputation of Character, Company and Product

Taking customers as the center, taking strivers as the base

Working step by step, persevering day by day

To be honest and promised, suiting the action to the word

To be modest and cautious, treading as on thin ice

质量体系与认证 QUALITY SYSTEM AND CERTIFICATION



体系证书 SYSTEM CERTIFICATION

GB/T 19001-2016 / ISO 9001: 2015
质量管理体系认证

GB/T 24001-2016 / ISO 14001: 2015
环境管理体系认证

GB/T 45001-2020 / ISO 45001: 2018
职业健康安全管理体系认证

产品证书 PRODUCT CERTIFICATION

API Q1, API 7K, API 16C 美国石油协会认证

MSHA 美国矿业安全和健康管理认证

MA 煤安认证

ROHS 欧盟化学安全认证

REACH 欧盟化学安全认证

PROP 65 美国加州65

GOST 俄罗斯GOST

EN45545 欧盟轨道交通车辆材料防火测试标准

DIN5510 机车材料毒烟测试标准

TB/T 3261-2011 机动车管路测试标准

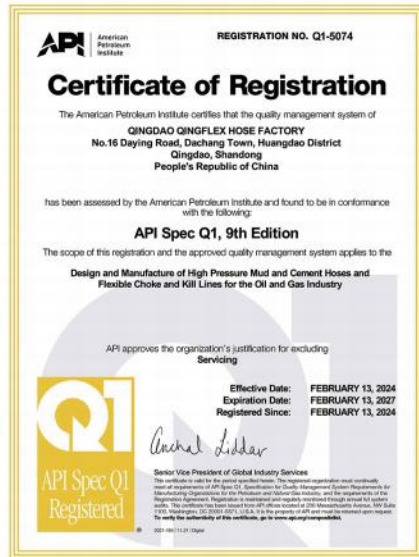
TB/T 3474.2-2018 机车车辆软管测试标准

Applying

ABS 美国船级社认证

DNV MED 挪威船级社认证

CCS 中国船级社认证



API

ISO



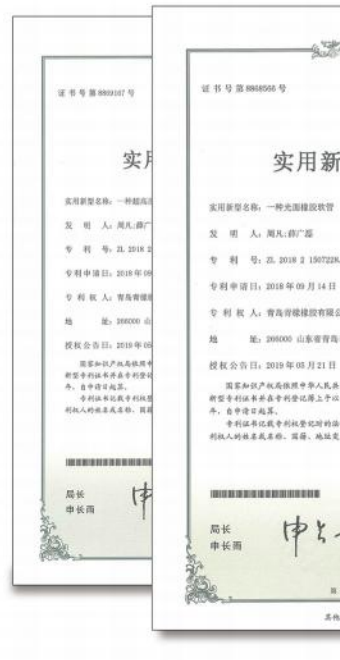
GOST REACH



HONOR 企业荣誉

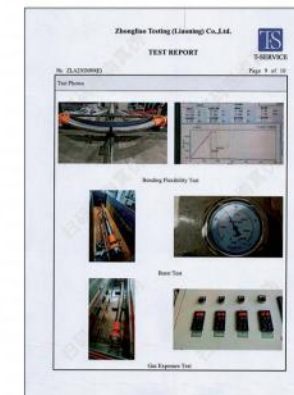


PATENT 专利证书



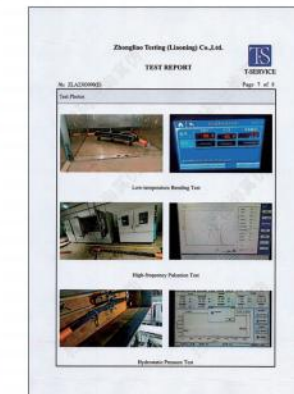
16C

检测报告



7K

检测报告





研发中心 R&D Center





流量表

为了最大限度地延长旋转钻井和振动器软管的使用寿命并降低管道故障率，流速被限制在最大 30 fps（英尺/秒）。可以使用高达 45 fps 的速度，但预计使用寿命会缩短，此类服务不在保修范围内。



Flow Rates

To maximize the life of the Rotary Drilling and Vibrator Hose and reduce the rate of tube failure, fluid velocity is limited to a maximum of 30 fps (feet per second). Speeds up to 45 fps can be used, but shorter service life is expected and this type of service is not covered under warranty.



Скорости потока

Чтобы максимально продлить срок службы шланга для вращательного бурения и вибратора и снизить частоту выхода из строя трубки, скорость потока жидкости ограничивается максимум 30 футами в секунду. Можно использовать скорость до 45 футов в секунду, но при этом ожидается меньший срок службы, и на такой вид обслуживания гарантия не распространяется.



قيدتال تالدعم
(قيدتال تالدعم) يصرقاً دحك قينائل ياف ارامل 30 لىل لئاسللا ؤعرس رصتقت ، ببوبنألا لشف لدعم ليلقتو زازطاو قراودلا رفحلا موطرخ رمع قدايؤل
قمدخللا نم عونلا اذه نامضلا يطغى الو رصقاً قمدخللا قدم نوكت نا عقوتبلا نم نكلو ، قينائللا ياف ارامل 45 لىل لصرىت تا عرس مادختسا نكمي

$Q=2.4480*d^2*v$ Q 流量 Flow Rate (gpm) d 软管内径 Hose ID (inch) v 速度 Velocity (fps)

Flow Rate (gpm)	Hose ID (inch)				
	2	2.5	3	3.5	4
100	10.2	6.5	4.5	3.3	2.6
150	15.3	9.8	6.8	5.0	3.8
200	20.4	13.1	9.1	6.7	5.1
250	25.5	16.3	11.3	8.9	6.4
300	30.6	19.6	13.6	10.0	7.7
350		22.9	15.9	11.7	8.9
400		26.1	18.2	13.3	10.2
450		29.4	20.4	15.0	11.5
500		32.7	22.7	16.7	12.8
550			25.0	18.3	14.0
600			27.2	20.0	15.3
650			29.5	21.7	16.6
700			31.8	23.3	17.9
750				25.0	19.1
800				26.7	20.4
850				28.3	21.7
900				30.0	23.0
950					24.3
1000					25.5
1050					26.8
1100					28.1
1150					29.4
1200					30.6
1250					

AlienFrac

专利压裂软管

Patented Fracturing Hose



发明专利号
Invention Patent No.:
2023106317917

压裂软管系列 *AlienFrac*

超耐磨酸化压裂软管 A801F (扣压式)

SUPER ABRASION RESISTANT ACID FRACTURING HOSE (CRIMPED)



胶管型号 Hose Part No.	内径 I.D.	外径 O.D.	工作压力 W.P.	试验压力 T.P.	爆破压力 B.P.	最小 弯曲半径 Min.B.R.	重量 Weight	流量 Volume	接头重量 Connector W.T.	最大生产长度 Length Max	连接形式 Connection Type		
	inch	mm	mm	psi	psi	psi	mm	kg/m	bbl/min	m ³ /min	kg	m	
A801F-28-15K	2	45	95	15000	22500	30000	750	18	9	1.46	53	61	3" FIG 1502 锤击由壬或 3 1/16" 15K API 法兰连接
A801F-32-15K		51	103				800	20	12	1.91	55	61	
A801F-36-15K	2 1/2	58	121	15000	22500	30000	900	24	14.8	2.34	57	61	3" FIG 1502 hammer union or 3 1/16" 15K API flange
A801F-40-15K		64	128				900	27	18.5	2.90	58	61	
A801F-44-15K	3	70	135	15000	22500	30000	1600	30	22	3.50	60	61	3" FIG 1502 hammer union or 3 1/16" 15K API flange
A801F-48-15K		76	141				1600	33	26	4.17	65	61	
A801F-56-15K	4	89	165	15000	22500	30000	2000	50	35.8	5.70	75	61	4" FIG 1502 锤击由壬或4 1/16" 15K API 法兰连接 4" FIG 1502 hammer union or 4 1/16" 15K API flange
A801F-64-15K		102	171				2000	56	47	7.47	85	61	
A801F-76-15K	5	120	210	15000	22500	30000	2100	80	62.9	10.00	343	61	5 1/8" 15K API 法兰连接 5 1/8" 15K API flange
A801F-80-15K		127	215				2100	86	80	11.58	348	61	
A801F-82-15K	5 1/2	130	220	15000	22500	30000	2100	90	84	12.13	353	61	7 1/16" 15K API 法兰连接 7 1/16" 15K API flange
A801F-88-15K		140	240				2200	110	88.6	14.07	560	61	
A801F-96-15K	6	150	250	20000	30000	40000	2300	125	105	16.68	680	61	2" FIG 2002 锤击由壬或3 1/16" 20K API 法兰连接 2" FIG 2002 hammer union or 3 1/16" 20K API flange
A801F-28-20K	2	44	106				1500	24	9	1.46	60	61	
A801F-32-20K	2 1/2	51	112	20000	30000	40000	1500	26	12	1.91	65	61	2" FIG 2002 锤击由壬或3 1/16" 20K API 法兰连接 2 1/2" FIG 2002 hammer union or 3 1/16" 20K API flange
A801F-36-20K		57	126				1600	32	14.8	2.34	70	61	
A801F-40-20K	3	64	133	20000	30000	40000	1600	36	18.5	2.90	78	61	2 1/2" FIG 2002 锤击由壬或3 1/16" 20K API 法兰连接 2 1/2" FIG 2002 hammer union or 3 1/16" 20K API flange
A801F-44-20K		69	142				1700	40	22	3.50	85	61	
A801F-48-20K	76	145	1700	42	26	4.17	98	61	3" FIG 2002 锤击由壬或3 1/16" 20K API 法兰连接 3" FIG 2002 hammer union or 3 1/16" 20K API flange				

应用范围: 完井作业中的酸化压裂、加砂压裂、水力压裂管线，在高压下输送水基、油基、泡沫、酸基等压裂液
APPLICATION: Flexible line using for delivery water-based, oil-based, acid-based and foam fracturing fluids under high pressure in acid, sand and hydraulic fracturing works

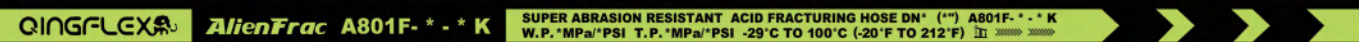
温度 TEMPERATURE: -29°C ~ +100°C (-20°F ~ +212°F)

结构 CONSTRUCTION:
内层: UHMW及合成橡胶，全口径，全流量
Tube: UHMW and sythetic rubber, full bore, full flow
增强层: 多层缠绕的高强度超柔钢丝
Reinforcement: Muti-layer of high tensile super flexible spiral steel wire
中间层: 合成橡胶
Middle: Synthetic rubber
外层: 耐磨、耐油、耐天候合成橡胶
Cover: Abrasion, oil and weather resistant synthetic rubber

接头: 扣压式接头，由壬、法兰、卡箍等
CONNECTION: Crimped couplings, hammer unions, flanges, hubs, etc.

包装: 成品总成包装在木箱中
PACKAGING: Finished assemblies packaged in wooden box.

选配: 可根据要求提供安全夹、软管吊眼、安全链和铠装等配件。每个订单都会附带测试证书。
OPTIONS: Accessories such as safety clamps, hose lift eyes, safety chains and armor are available upon request. Test certificates are shipped with every order.



压裂软管系列 *AlienFrac*

双层树脂超耐磨酸化压裂软管 A801T (扣压式)

DOUBLE RESIN SUPER ABRASION RESISTANT ACID FRACTURING HOSE (CRIMPED)



胶管型号 Hose Part No.	内径 I.D.	外径 O.D.	工作压力 W.P.	试验压力 T.P.	爆破压力 B.P.	最小 弯曲半径 Min.B.R.	重量 Weight	流量 Volume	接头重量 Connector W.T.	最大生产长度 Length Max	连接形式 Connection Type		
	inch	mm	mm	psi	psi	psi	mm	kg/m	bbl/min	m ³ /min	kg	m	
A801T-28-15K	2	45	95	15000	22500	30000	750	18	9	1.46	53	61	3" FIG 1502 锤击由壬或 3 1/16" 15K API 法兰连接
A801T-32-15K		51	109				800	20	12	1.91	54	61	
A801T-36-15K	2 1/2	58	121	15000	22500	30000	900	24	14.8	2.34	57	61	3" FIG 1502 hammer union or 3 1/16" 15K API flange
A801T-40-15K		64	140				900	27	18.5	2.90	58	61	
A801T-44-15K	3	70	135	15000	22500	30000	1600	30	22	3.50	60	61	3" FIG 1502 hammer union or 3 1/16" 15K API flange
A801T-48-15K		76	141				1600	33	26	4.17	65	61	
A801T-56-15K	4	89	165	15000	22500	30000	2000	50	35.8	5.70	75	61	4" FIG 1502 锤击由壬或4 1/16" 15K API 法兰连接 4" FIG 1502 hammer union or 4 1/16" 15K API flange
A801T-64-15K		102	171				2000	56	47	7.47	85	61	
A801T-76-15K	5	120	210	15000	22500	30000	2100	80	62.9	10.00	343	61	5 1/8" 15K API 法兰连接 5 1/8" 15K API flange
A801T-80-15K		127	215				2100	86	80	11.58	348	61	
A801T-82-15K	5 1/2	130	220	15000	22500	30000	2100	90	84	12.13	353	61	7 1/16" 15K API 法兰连接 7 1/16" 15K API flange
A801T-88-15K		140	240				2200	110	88.6	14.07	560	61	
A801T-96-15K	6	150	250	20000	30000	40000	2300	125	105	16.68	680	61	2" FIG 2002 锤击由壬或3 1/16" 20K API 法兰连接 2" FIG 2002 hammer union or 3 1/16" 20K API flange
A801T-28-20K	2	44	106				1500	24	9	1.46	60	61	
A801T-32-20K	2 1/2	51	109	20000	30000	40000	1500	26	12	1.91	65	61	2" FIG 2002 锤击由壬或3 1/16" 20K API 法兰连接 2 1/2" FIG 2002 hammer union or 3 1/16" 20K API flange
A801T-36-20K		57	126				1600	32	14.8	2.34	70	61	
A801T-40-20K	3	64	140	20000	30000	40000	1600	36	18.5	2.90	78	61	2 1/2" FIG 2002 锤击由壬或3 1/16" 20K API 法兰连接 2 1/2" FIG 2002 hammer union or 3 1/16" 20K API flange
A801T-44-20K		69	142				1700	40	22	3.50	85	61	
A801T-48-20K	76	145	1700	42	26	4.17	98	61	3" FIG 2002 锤击由壬或3 1/16" 20K API 法兰连接 3" FIG 2002 hammer union or 3 1/16" 20K API flange				

应用范围: 完井作业中的酸化压裂、加砂压裂、水力压裂管线，在高压下输送水基、油基、泡沫、酸基等压裂液
APPLICATION: Flexible line using for delivery water-based, oil-based, acid-based and foam fracturing fluids under high pressure in acid, sand and hydraulic fracturing works

温度 TEMPERATURE: -29°C ~ +100°C (-20°F ~ +212°F)

结构 CONSTRUCTION:
内层: 双层超耐磨，耐腐蚀树脂及合成橡胶，全口径，全流量
Tube: Double layer super abrasion and corrosion resistant resin and sythetic rubber, full bore, full flow
增强层: 多层缠绕的高强度超柔钢丝
Reinforcement: Multi-layer of high tensile super flexible spiral steel wire
中间层: 合成橡胶
Middle: Synthetic rubber
外层: 耐磨、耐油、耐天候合成橡胶
Cover: Abrasion, oil and weather resistant synthetic rubber

接头: 扣压式接头，由壬、法兰、卡箍等
CONNECTION: Crimped couplings, hammer unions, flanges, hubs, etc.

包装: 成品总成包装在木箱中
PACKAGING: Finished assemblies packaged in wooden box.

选配: 可根据要求提供安全夹、软管吊眼、安全链和铠装等配件。每个订单都会附带测试证书。
OPTIONS: Accessories such as safety clamps, hose lift eyes, safety chains and armor are available upon request. Test certificates are shipped with every order.



压裂软管系列 *AlienFrac*

超耐磨酸化压裂软管 A803F (整体式) SUPER ABRASION RESISTANT ACID FRACTURING HOSE (BUILT-IN)



胶管型号 Hose Part No.	内径 I.D.	外径 O.D.	工作压力 W.P.	试验压力 T.P.	最小弯曲半径 Min.B.R.	重量 Weight	流量 Volume	接头内径 Fitting's I.D.	最小时效拉力 M.F.T.	最大生产长度 Length Max		
	inch	mm	mm	psi	psi	mm	kg/m	bbl/min	m ³ /min	mm	KN	m
A803F-32-15K	2	51	113	15000	22500	800	25.5	13	2.1	51±0.5	>400	61
A803F-40-15K	2.5	64	130			900	31.2	20.6	3.3	64±0.5	>500	61
A803F-44-15K	2.7	68	146			1000	41.2	24	3.8	68±0.5	>700	61
A803F-48-15K	3	76	155			1200	46.5	29.1	4.6	76±0.5	>800	61
A803F-56-15K	3.5	89	178			1300	60.8	39.9	6.3	89±0.5	>1000	61
A803F-64-15K	4	102	187			1400	67.3	55.5	8.8	102±0.5	>1100	61
A803F-82-15K	5.12	130	237			1500	10.0	110.1	17.5	130±0.5	>1200	61
A803F-32-20K	2	51	137			20000	30000	1000	4.5	13.0	2.1	51±0.5
A803F-40-20K	2.5	64	164	1100	53.5			20.6	3.3	64±0.5	>700	61
A803F-44-20K	2.7	68	168	1200	55			24.0	3.8	68±0.5	>900	61
A803F-48-20K	3	76	176	1200	59			24.0	3.8	68±0.5	>1000	61

应用范围: 完井作业中的酸化压裂、加砂压裂、水力压裂管线，在高压下输送水基、油基、泡沫、酸基等压裂液
APPLICATION: Flexible line using for delivery water-based, oil-based, acid-based and foam fracturing fluids under high pressure in acid, sand and hydraulic fracturing works

温度 TEMPERATURE: -29°C ~ +100°C (-20°F ~ +212°F)

结构 CONSTRUCTION:
内层: UHMW及合成橡胶，全通路，全流量
Tube: UHMW and synthetic rubber, full bore, full flow
增强层: 高强度钢丝绳
Reinforcement: high strength steel cable
中间层: 合成橡胶
Middle: Synthetic rubber
外层: 耐磨、耐油、耐天候合成橡胶
Cover: Abrasion, oil and weather resistant synthetic rubber

接头: 整体式接头，由壬、法兰、卡箍等
CONNECTION: Built-in couplings, hammer unions, flanges, hubs, etc.

包装: 成品总成包装在木箱中
PACKAGING: Finished assemblies packaged in wooden box.

选配: 可根据要求提供安全夹、软管吊眼、安全链和铠装等配件。每个订单都会附带测试证书。
OPTIONS: Accessories such as safety clamps, hose lift eyes, safety chains and armor are available upon request. Test certificates are shipped with every order.

压裂软管系列 *AlienFrac*

酸化压裂吸排管A811 (扣压式) ACID FRACTURING SUCTION AND DISCHARGE HOSE (CRIMPED)



胶管型号 Hose Part No.	内径 I.D.	外径 O.D.	工作压力 W.P.	爆破压力 B.P.	最小弯曲半径 Min.B.R.	重量 Weight	
	inch	mm	mm	psi	psi	mm	kg/m
A811-32	2	51	66.00	500	2000	500	4.00
A811-40	3	76	98.30	500	2000	650	6.80
A811-64	4	102	129.00	500	2000	800	9.05

应用范围: 吸排石油和天然气井增产和水力压裂中使用的石油基流体、稀酸、化学和磨蚀性浆液。
APPLICATION: Suction and discharge use of petroleum based fluids, dilute acids, chemical and abrasive slurries used in oil and gas well stimulation and fracking.

温度 TEMPERATURE: -40°C ~ +82°C (-40°F ~ +180)

结构 CONSTRUCTION:
内层: UHMW及合成橡胶
Tube: UHMW and synthetic rubber
增强层: 多层高强度合成纤维和螺旋钢丝
Reinforcement: Multi-layer of high tensile synthetic textile and steel helix wire
中间层: 合成橡胶
Middle: Synthetic rubber
外层: 高性能耐磨、耐天候合成橡胶
Cover: High performance abrasion and weather resistant synthetic rubber

接头: 扣压式接头，由壬、法兰、卡箍等
CONNECTION: Crimped couplings, hammer unions, flanges, hubs, etc.

包装: 成品总成包装在胶合板箱中
PACKAGING: Finished assemblies packaged in plywood box.

选配: 可根据要求提供安全夹、软管吊眼、安全链和铠装等配件。每个订单都会附带测试证书。
OPTIONS: Accessories such as safety clamps, hose lift eyes, safety chains and armor are available upon request. Test certificates are shipped with every order.

压裂软管系列 *AlienFrac*

耐磨压裂卸料管 A812 (扣压式)

ABRASION FRACTURING DISCHARGE HOSE (CRIMPED)



胶管型号 Hose Part No.	内径 I.D.		外径 O.D.	工作压力 W.P.	最小弯曲半径 Min.B.R.	重量 Weight
	inch	mm	mm	psi	mm	kg/m
A812-32	2	51	66.00	400	400	1.97
A812-40	3	76	98.30	400	450	3.74
A812-64	4	102	120.85	400	550	4.21

应用范围: 排放石油和天然气井增产和水力压裂中使用的石油基流体、稀酸、化学和磨蚀性浆液。
APPLICATION: Discharge use of petroleum based fluids, dilute acids, chemical and abrasive slurries used in oil and gas well stimulation and fracking.

温度 TEMPERATURE: -40°C ~ +82°C (-40°F ~ +180)

结构 CONSTRUCTION:

- 内层:** 合成橡胶
- Tube:** Synthetic rubber
- 增强层:** 多层高强度合成纤维
- Reinforcement:** Multi-layer of high tensile synthetic textile
- 中间层:** 合成橡胶
- Middle:** Synthetic rubber
- 外层:** 高性能耐磨、耐天候合成橡胶
- Cover:** High performance abrasion and weather resistant synthetic rubber

接头: 扣压式接头, 由壬、法兰、卡箍等
CONNECTION: Crimped couplings, hammer unions, flanges, hubs, etc.

包装: 成品总成包装在胶合板箱中
PACKAGING: Finished assemblies packaged in plywood box.

选配: 可根据要求提供安全夹、软管吊眼、安全链和铠装等配件。每个订单都会附带测试证书。
OPTIONS: Accessories such as safety clamps, hose lift eyes, safety chains and armor are available upon request. Test certificates are shipped with every order.

QINGFLEXA AlienFrac A812-^{*} ABRASION FRACTURING DISCHARGE HOSE DN^{*} (") A812-^{*}
 W.P.^{*} MPa/PSI T.P.^{*} MPa/PSI -40°C TO 82°C (-40°F TO 180°F) 五 >>>>>>

AlienDrill

钻采软管

OIL DRILLING HOSE

API 7K 16C 16D



钻采软管系列 *AlienDrill*

高压水泥软管 A801C (扣压式) HIGH PRESSURE CEMENT HOSE (CRIMPED)



胶管型号 Hose Part No.	压力等级 Pressure Level	内径 I.D.	外径 O.D.	工作压力 W.P.	试验压力 T.P.	爆破压力 B.P.	最小弯曲半径 Min.B.R.	重量 Weight	
	psi	inch	mm	mm	psi	psi	psi	mm	kg/m
A801C-32-10K	10000	2	51	83	10000	15000	22500	1200	10.8
A801C-40-10K		2 1/2	64	98				1200	19.4
A801C-48-10K		3	76	129				1500	28
A801C-56-10K		3 1/2	89	137				1500	33
A801C-64-10K		4	102	154				1800	38.5
A801C-32-15K	15000	2	51	101	15000	22500	33750	1400	20.5
A801C-48-15K		3	76	125				1600	36
A801C-32-20K	20000	2	51	106	20000	30000	45000	1600	24
A801C-48-20K		3	76	142				1800	44

应用范围: 作为固井管汇的柔性连接件, 在高压下输送水基泥浆、油基泥浆等
APPLICATION: Flexible connection in the cementing manifold for delivery water-based and oil-based cement slurries at high pressure

温度 TEMPERATURE: -20°C ~ +121°C (-4°F ~ +250°F), range I / II / III, FSL 0

结构 CONSTRUCTION:
内层: 合成橡胶, 全流量
Tube: Synthetic rubber, full flow
增强层: 多层缠绕的高强度超柔钢丝
Reinforcement: Multi-layer of high tensile super flexible spiral steel wire
中间层: 合成橡胶
Middle: Synthetic rubber
外层: 耐磨、耐油、耐天候合成橡胶
Cover: Abrasion, oil and weather resistant synthetic rubber

接头: 扣压式接头, 由壬、法兰、卡箍等
CONNECTION: Crimped couplings, hammer unions, flanges, hubs, etc.

包装: 成品总成包装在木箱中
PACKAGING: Finished assemblies packaged in wooden box.

选配: 可根据要求提供安全夹、软管吊眼、安全链和铠装等配件。每个订单都会附带测试证书。
OPTIONS: Accessories such as safety clamps, hose lift eyes, safety chains and armor are available upon request. Test certificates are shipped with every order.

标准 STANDARDS: API Spec. 7K, ABS

钻采软管系列 *AlienDrill*

UHMW内衬高压水泥软管 A802C (扣压式) UHMW LINING HIGH PRESSURE CEMENT HOSE (CRIMPED)



胶管型号 Hose Part No.	压力等级 Pressure Level	内径 I.D.	外径 O.D.	工作压力 W.P.	试验压力 T.P.	爆破压力 B.P.	最小弯曲半径 Min.B.R.	重量 Weight	
	psi	inch	mm	mm	psi	psi	psi	mm	kg/m
A802C-32-10K	10000	2	51	83	10000	15000	22500	1200	10.8
A802C-40-10K		2 1/2	64	98				1200	19.4
A802C-48-10K		3	76	129				1500	28
A802C-56-10K		3 1/2	89	137				1500	33
A802C-64-10K		4	102	154				1800	38.5
A802C-32-15K	15000	2	51	101	15000	22500	33750	1400	20.5
A802C-48-15K		3	76	125				1600	36
A802C-32-20K	20000	2	51	106	20000	30000	45000	1600	24
A802C-48-20K		3	76	142				1800	44

应用范围: 作为固井管汇的柔性连接件, 在高压下输送水基泥浆、油基泥浆等
APPLICATION: Flexible connection in the cementing manifold for delivery water-based and oil-based cement slurries at high pressure

温度 TEMPERATURE: -20°C ~ +121°C (-4°F ~ +250°F), range I / II / III, FSL 0

结构 CONSTRUCTION:
内层: UHMW及合成橡胶, 全流量
Tube: UHMW and synthetic rubber, full flow
增强层: 多层缠绕的高强度超柔钢丝
Reinforcement: Multi-layer of high tensile super flexible spiral steel wire
中间层: 合成橡胶
Middle: Synthetic rubber
外层: 耐磨、耐油、耐天候合成橡胶
Cover: Abrasion, oil and weather resistant synthetic rubber

接头: 扣压式接头, 由壬、法兰、卡箍等
CONNECTION: Crimped couplings, hammer unions, flanges, hubs, etc.

包装: 成品总成包装在木箱中
PACKAGING: Finished assemblies packaged in wooden box.

选配: 可根据要求提供安全夹、软管吊眼、安全链和铠装等配件。每个订单都会附带测试证书。
OPTIONS: Accessories such as safety clamps, hose lift eyes, safety chains and armor are available upon request. Test certificates are shipped with every order.

标准 STANDARDS: API Spec. 7K, ABS

钻采软管系列 *AlienDrill*

高压水泥软管 A803C (整体式) HIGH PRESSURE CEMENT HOSE (BUILT-IN)



胶管型号 Hose Part No.	内径 I.D.	外径 O.D.	工作压力 W.P.	试验压力 T.P.	爆破压力 B.P.	存储最小 弯曲半径 MBR(storage)	操作最小 弯曲半径 MBR(operation)	重量 Weight	最大生产长度 Length Max	
	inch	mm	mm	psi	psi	psi	mm	mm	kg/m	m
A803C-32-10K	2	51	103	10000	15000	22500	1100	1200	19	61
A803C-40-10K	2.5	64	125.5				1200	1300	29	61
A803C-48-10K	3	76	152				1300	1400	45	61
A803C-64-10K	4	102	163				1400	1500	41	61
A803C-32-15K	2	51	116	15000	22500	33750	1300	1400	27	61
A803C-40-15K	2.5	64	150				1400	1500	48	61
A803C-48-15K	3	76	168				1500	1600	59	61

应用范围: 作为固井管汇的柔性连接件, 在高压下输送水基泥浆、油基泥浆等
APPLICATION: Flexible connection in the cementing manifold for delivery water-based and oil-based cement slurries at high pressure

温度 TEMPERATURE: -20°C ~ +121°C (-4°F ~ +250°F), range I / II / III, FSL 0

结构 CONSTRUCTION:
内层: 合成橡胶, 全流量
Tube: Synthetic rubber, full flow
增强层: 高强度钢丝绳
Reinforcement: High strength steel cable
中间层: 合成橡胶
Middle: Synthetic rubber
外层: 耐磨、耐油、耐天候合成橡胶
Cover: Abrasion, oil and weather resistant synthetic rubber

接头: 整体式接头, 由壬、法兰、卡箍等
CONNECTION: Built-in couplings, hammer unions, flanges, hubs, etc.

包装: 成品总成包装在木箱中
PACKAGING: Finished assemblies packaged in wooden box.

选配: 可根据要求提供安全夹、软管吊眼、安全链和铠装等配件。每个订单都会附带测试证书。
OPTIONS: Accessories such as safety clamps, hose lift eyes, safety chains and armor are available upon request. Test certificates are shipped with every order.

标准 STANDARDS: API Spec. 7K, ABS



钻采软管系列 *AlienDrill*

UHMW内衬高压水泥软管 A804C (整体式) UHMW LINING HIGH PRESSURE CEMENT HOSE (BUILT-IN)



胶管型号 Hose Part No.	内径 I.D.	外径 O.D.	工作压力 W.P.	试验压力 T.P.	爆破压力 B.P.	存储最小 弯曲半径 MBR(storage)	操作最小 弯曲半径 MBR(operation)	重量 Weight	最大生产长度 Length Max	
	inch	mm	mm	psi	psi	psi	mm	mm	kg/m	m
A804C-32-10K	2	51	103	10000	15000	22500	1100	1200	19	61
A804C-40-10K	2.5	64	125.5				1200	1300	29	61
A804C-48-10K	3	76	152				1300	1400	45	61
A804C-64-10K	4	102	163				1400	1500	41	61
A804C-32-15K	2	51	116	15000	22500	33750	1300	1400	27	61
A804C-40-15K	2.5	64	150				1400	1500	48	61
A804C-48-15K	3	76	168				1500	1600	59	61

应用范围: 作为固井管汇的柔性连接件, 在高压下输送水基泥浆、油基泥浆等
APPLICATION: Flexible connection in the cementing manifold for delivery water-based and oil-based cement slurries at high pressure

温度 TEMPERATURE: -20°C ~ +121°C (-4°F ~ +250°F), range I / II / III, FSL 0

结构 CONSTRUCTION:
内层: UHMW及合成橡胶, 全流量
Tube: UHMW and synthetic rubber, full flow
增强层: 高强度钢丝绳
Reinforcement: High strength steel cable
中间层: 合成橡胶
Middle: Synthetic rubber
外层: 耐磨、耐油、耐天候合成橡胶
Cover: Abrasion, oil and weather resistant synthetic rubber

接头: 整体式接头, 由壬、法兰、卡箍等
CONNECTION: Built-in couplings, hammer unions, flanges, hubs, etc.

包装: 成品总成包装在木箱中
PACKAGING: Finished assemblies packaged in wooden box.

选配: 可根据要求提供安全夹、软管吊眼、安全链和铠装等配件。每个订单都会附带测试证书。
OPTIONS: Accessories such as safety clamps, hose lift eyes, safety chains and armor are available upon request. Test certificates are shipped with every order.

标准 STANDARDS: API Spec. 7K, ABS



钻采软管系列 *AlienDrill*

旋转钻井和减振软管 A801D (扣压式) ROTARY DRILLING AND VIBRATOR HOSE (CRIMPED)



胶管型号 Hose Part No.	压力等级 Pressure Level	内径 I.D.	外径 O.D.	工作压力 W.P.	试验压力 T.P.	爆破压力 B.P.	最小弯曲半径 Min.B.R.	重量 Weight	
	psi	inch	mm	mm	psi	psi	psi	mm	kg/m
A801D-32-1.5K	1500 A级 Grade A	2	51	68	1500	2250	3750	900	4.3
A801D-40-1.5K		2 1/2	64	84				900	5.6
A801D-32-2K	2000 B级 Grade B	2	51	68	2000	3000	5000	900	4.3
A801D-40-2K		2 1/2	64	84				900	5.6
A801D-48-2K		3	76	97				950	6.5
A801D-56-2K		3 1/2	89	113				1000	8.5
A801D-64-2K		4	102	127				1000	10.4
A801D-80-2K		5	127	157				1200	14
A801D-96-2K	6	152	183	1300	18				
A801D-32-4K	4000 C级 Grade C	2	51	72	4000	6000	10000	900	6.4
A801D-40-4K		2 1/2	64	87				900	8.7
A801D-48-4K		3	76	102				1200	11.1
A801D-56-4K		3 1/2	89	119				1400	14.4
A801D-64-4K		4	102	132				1400	16
A801D-80-4K		5	127	162				1500	24.5
A801D-96-4K	6	152	194	1500	33				
A801D-32-5K	5000 D级 Grade D	2	51	75	5000	7500	12500	900	6.4
A801D-40-5K		2 1/2	64	90				900	8.7
A801D-48-5K		3	76	104				1200	11.1
A801D-56-5K		3 1/2	89	121				1400	14.4
A801D-64-5K		4	102	134				1400	16
A801D-80-5K		5	127	167				1500	24.5
A801D-96-5K	6	152	196	1800	33				
A801D-32-7.5K	7500 E级 Grade E	2	51	77	7500	11250	18750	900	8.5
A801D-40-7.5K		2 1/2	64	94				1200	10.5
A801D-48-7.5K		3	76	110				1200	18.5
A801D-56-7.5K		3 1/2	89	128				1400	20
A801D-64-7.5K		4	102	150				1500	30
A801D-80-7.5K		5	127	183				1800	49
A801D-96-7.5K	6	152	212	1800	60				

应用范围:

钻井、修井作业中立管上端与顶部驱动器/旋转装置之间和泵与立管下端之间的柔性连接，在石油钻探和勘探工作中以高压泵送泥浆

APPLICATION:

Flexible connection between the upper end of the standpipe and the top drive/swivel and between the pump and the lower end of the standpipe for pumping mud at high pressure in oil drilling and exploration work.

温度 TEMPERATURE:

-20°C ~ +121°C (-4°F ~ +250°F), range I / II / III, FSL 1/2

结构 CONSTRUCTION:

内层: 合成橡胶, 全流量
Tube: Synthetic rubber, full flow
增强层: 多层缠绕的高强超柔钢丝
Reinforcement: Multi-layer of high tensile super flexible spiral steel wire
中间层: 合成橡胶
Middle: Synthetic rubber
外层: 耐磨、耐油、耐天候合成橡胶
Cover: Abrasion, oil and weather resistant synthetic rubber

接头:

扣压式接头, 由壬、法兰、卡箍等

CONNECTION:

Crimped couplings, hammer unions, flanges, hubs, etc.

包装:

成品总成包装在木箱中

PACKAGING:

Finished assemblies packaged in wooden box.

选配:

可根据要求提供安全夹、软管吊眼、安全链和铠装等配件。每个订单都会附带测试证书。

OPTIONS:

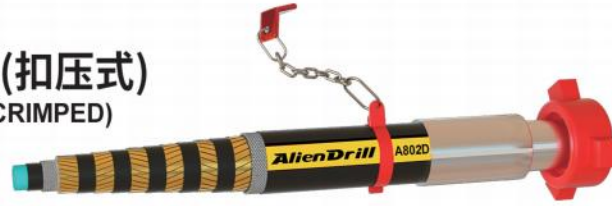
Accessories such as safety clamps, hose lift eyes, safety chains and armor are available upon request. Test certificates are shipped with every order.

标准 STANDARDS:

API Spec. 7K, ABS

钻采软管系列 *AlienDrill*

UHMW内衬旋转钻井和减振软管 A802D (扣压式) UHMW LINING ROTARY DRILLING AND VIBRATOR HOSE (CRIMPED)



胶管型号 Hose Part No.	压力等级 Pressure Level	内径 I.D.	外径 O.D.	工作压力 W.P.	试验压力 T.P.	爆破压力 B.P.	最小弯曲半径 Min.B.R.	重量 Weight	
	psi	inch	mm	mm	psi	psi	psi	mm	kg/m
A802D-32-1.5K	1500 A级 Grade A	2	51	68	1500	2250	3750	900	4.3
A802D-40-1.5K		2 1/2	64	84				900	5.6
A802D-32-2K	2000 B级 Grade B	2	51	68	2000	3000	5000	900	4.3
A802D-40-2K		2 1/2	64	84				900	5.6
A802D-48-2K		3	76	97				950	6.5
A802D-56-2K		3 1/2	89	113				1000	8.5
A802D-64-2K		4	102	127				1000	10.4
A802D-80-2K		5	127	157				1200	14
A802D-96-2K	6	152	183	1300	18				
A802D-32-4K	4000 C级 Grade C	2	51	72	4000	6000	10000	900	6.4
A802D-40-4K		2 1/2	64	87				900	8.7
A802D-48-4K		3	76	102				1200	11.1
A802D-56-4K		3 1/2	89	119				1400	14.4
A802D-64-4K		4	102	132				1400	16
A802D-80-4K		5	127	162				1500	24.5
A802D-96-4K	6	152	194	1500	33				
A802D-32-5K	5000 D级 Grade D	2	51	75	5000	7500	12500	900	6.4
A802D-40-5K		2 1/2	64	90				900	8.7
A802D-48-5K		3	76	104				1200	11.1
A802D-56-5K		3 1/2	89	121				1400	14.4
A802D-64-5K		4	102	134				1400	16
A802D-80-5K		5	127	167				1500	24.5
A802D-96-5K	6	152	196	1800	33				
A802D-32-7.5K	7500 E级 Grade E	2	51	77	7500	11250	18750	900	8.5
A802D-40-7.5K		2 1/2	64	94				1200	10.5
A802D-48-7.5K		3	76	110				1200	18.5
A802D-56-7.5K		3 1/2	89	128				1400	20
A802D-64-7.5K		4	102	150				1500	30
A802D-80-7.5K		5	127	183				1800	49
A802D-96-7.5K	6	152	212	1800	60				

应用范围:

钻井、修井作业中立管上端与顶部驱动器/旋转装置之间和泵与立管下端之间的柔性连接，在石油钻探和勘探工作中以高压泵送泥浆

APPLICATION:

Flexible connection between the upper end of the standpipe and the top drive/swivel and between the pump and the lower end of the standpipe for pumping mud at high pressure in oil drilling and exploration work.

温度 TEMPERATURE:

-20°C ~ +121°C (-4°F ~ +250°F), range I / II / III, FSL 1/2

结构 CONSTRUCTION:

内层: UHMW及合成橡胶, 全流量
Tube: UHMW and synthetic rubber, full flow
增强层: 多层缠绕的高强超柔钢丝
Reinforcement: Multi-layer of high tensile super flexible spiral steel wire
中间层: 合成橡胶
Middle: Synthetic rubber
外层: 耐磨、耐油、耐天候合成橡胶
Cover: Abrasion, oil and weather resistant synthetic rubber

接头:

扣压式接头, 由壬、法兰、卡箍等

CONNECTION:

Crimped couplings, hammer unions, flanges, hubs, etc.

包装:

成品总成包装在木箱中

PACKAGING:

Finished assemblies packaged in wooden box.

选配:

可根据要求提供安全夹、软管吊眼、安全链和铠装等配件。每个订单都会附带测试证书。

OPTIONS:

Accessories such as safety clamps, hose lift eyes, safety chains and armor are available upon request. Test certificates are shipped with every order.

标准 STANDARDS:

API Spec. 7K, ABS

钻采软管系列 *AlienDrill*

旋转钻井和减振软管 A803D (整体式) ROTARY DRILLING AND VIBRATOR HOSE (BUILT-IN)



胶管型号 Hose Part No.	压力等级 Pressure Level	内径 I.D.	外径 O.D.	工作压力 W.P.	试验压力 T.P.	爆破压力 B.P.	存储最小 弯曲半径 MBR(storage)	操作最小 弯曲半径 MBR(operation)	重量 Weight	最大生产长度 Length Max	
		inch	mm	mm	psi	psi	psi	mm	mm	kg/m	m
A803D-32-5K	5000 D级 Grade D	2	51	91	5000	10000	12500	800	900	11.24	61
A803D-40-5K		2.5	64	103				800	900	13	61
A803D-48-5K		3	76	120				1100	1200	18	61
A803D-56-5K		3.5	89	134				1200	1300	21	61
A803D-64-5K		4	102	160				1200	1400	35	61
A803D-80-5K		5	127	191				1400	1500	51	61
A803D-96-5K		6	152	224				1600	1800	57	61
A803D-32-7.5K	7500 E级 Grade E	2	51	103	7500	15000	18750	1100	1200	19	61
A803D-40-7.5K		2.5	64	124				1100	1200	28	61
A803D-48-7.5K		3	76	138				1200	1300	31	61
A803D-56-7.5K		3.5	89	151				1300	1400	38	61
A803D-64-7.5K		4	102	168				1400	1500	44	61
A803D-80-7.5K		5	127	204				1500	1600	64	61
A803D-96-7.5K		6	152	248				1600	1800	92	61

应用范围: 钻井、修井作业中立管上端与顶部驱动器/旋转装置之间和泵与立管下端之间的柔性连接，在石油钻探和勘探工作中以高压泵送泥浆

APPLICATION: Flexible connection between the upper end of the standpipe and the top drive/swivel and between the pump and the lower end of the standpipe for pumping mud at high pressure in oil drilling and exploration work.

温度 TEMPERATURE: -20°C ~ +121°C (-4°F ~ +250°F), range I / II / III, FSL 1/2

结构 CONSTRUCTION:
内层: 合成橡胶, 全流量
Tube: Synthetic rubber, full flow
增强层: 高强度钢丝绳
Reinforcement: High strength steel cable
中间层: 合成橡胶
Middle: Synthetic rubber
外层: 耐磨、耐油、耐天候合成橡胶
Cover: Abrasion, oil and weather resistant synthetic rubber

接头: 整体式接头, 由壬、法兰、卡箍等
CONNECTION: Built-in couplings, hammer unions, flanges, hubs, etc.

包装: 成品总成包装在木箱中
PACKAGING: Finished assemblies packaged in wooden box.

选配: 可根据要求提供安全夹、软管吊眼、安全链和铠装等配件。每个订单都会附带测试证书。
OPTIONS: Accessories such as safety clamps, hose lift eyes, safety chains and armor are available upon request. Test certificates are shipped with every order.

标准 STANDARDS: API Spec. 7K, ABS

钻采软管系列 *AlienDrill*

UHMW内衬旋转钻井和减振软管 A804D (整体式) UHMW LINING ROTARY DRILLING AND VIBRATOR HOSE (BUILT-IN)



胶管型号 Hose Part No.	压力等级 Pressure Level	内径 I.D.	外径 O.D.	工作压力 W.P.	试验压力 T.P.	爆破压力 B.P.	存储最小 弯曲半径 MBR(storage)	操作最小 弯曲半径 MBR(operation)	重量 Weight	最大生产长度 Length Max	
		inch	mm	mm	psi	psi	psi	mm	mm	kg/m	m
A804D-32-5K	5000 D级 Grade D	2	51	91	5000	10000	12500	800	900	11.24	61
A804D-40-5K		2.5	64	103				800	900	13	61
A804D-48-5K		3	76	120				1100	1200	18	61
A804D-56-5K		3.5	89	134				1200	1300	21	61
A804D-64-5K		4	102	160				1200	1400	35	61
A804D-80-5K		5	127	191				1400	1500	51	61
A804D-96-5K		6	152	224				1600	1800	57	61
A804D-32-7.5K	7500 E级 Grade E	2	51	103	7500	15000	18750	1100	1200	19	61
A804D-40-7.5K		2.5	64	124				1100	1200	28	61
A804D-48-7.5K		3	76	138				1200	1300	31	61
A804D-56-7.5K		3.5	89	151				1300	1400	38	61
A804D-64-7.5K		4	102	168				1400	1500	44	61
A804D-80-7.5K		5	127	204				1500	1600	64	61
A804D-96-7.5K		6	152	248				1600	1800	92	61

应用范围: 钻井、修井作业中立管上端与顶部驱动器/旋转装置之间和泵与立管下端之间的柔性连接，在石油钻探和勘探工作中以高压泵送泥浆

APPLICATION: Flexible connection between the upper end of the standpipe and the top drive/swivel and between the pump and the lower end of the standpipe for pumping mud at high pressure in oil drilling and exploration work.

温度 TEMPERATURE: -20°C ~ +121°C (-4°F ~ +250°F), range I / II / III, FSL 1/2

结构 CONSTRUCTION:
内层: UHMW及合成橡胶, 全流量
Tube: UHMW and synthetic rubber, full flow
增强层: 高强度钢丝绳
Reinforcement: High strength steel cable
中间层: 合成橡胶
Middle: Synthetic rubber
外层: 耐磨、耐油、耐天候合成橡胶
Cover: Abrasion, oil and weather resistant synthetic rubber

接头: 整体式接头, 由壬、法兰、卡箍等
CONNECTION: Built-in couplings, hammer unions, flanges, hubs, etc.

包装: 成品总成包装在木箱中
PACKAGING: Finished assemblies packaged in wooden box.

选配: 可根据要求提供安全夹、软管吊眼、安全链和铠装等配件。每个订单都会附带测试证书。
OPTIONS: Accessories such as safety clamps, hose lift eyes, safety chains and armor are available upon request. Test certificates are shipped with every order.

标准 STANDARDS: API Spec. 7K, ABS

钻采软管系列 *AlienDrill*

细孔旋转钻井软管 A821 (扣压式) SLIM HOLE ROTARY DRILLING HOSE (CRIMPED)



胶管型号 Hose Part No.	软管结构 Construction	内径 I.D.	外径 O.D.	工作压力 W.P.	爆破压力 B.P.	最小弯曲半径 Min.B.R.	重量 Weight
		inch	mm	Psi	Psi	mm	kg/m
A821-16-5K	4 Spiral	1	25	5000	20000	310	2.01
A821-20-5K	6 Spiral	1 1/4	32	5000	20000	420	4.29
A821-24-5K	6 Spiral	1 1/2	38	5000	20000	510	4.98
A821-32-5K	6 Spiral	2	51	5000	20000	640	6.86
A821-40-3K	4 Spiral	2 1/2	64	3000	9000	720	4.86
A821-48-3K	4 Spiral	3	76	3000	9000	740	4.86
A821-64-3K	4 Spiral	4	102	3000	6000	1000	22.1
A821-40-2K	4 Braids	2 1/2	64	2500	7500	650	5.43
A821-48-2K	4 Braids	3	76	2000	6000	760	6.77
A821-64-2K	4 Braids	4	102	2000	4000	970	8.92

- 应用范围:** 水井、岩心钻、爆破或射孔作业的便携式钻机、翻修钻机、细长孔和地震仪之间的操作
- APPLICATION:** Operate between water well, core drill, blast, or shot hole operations on portable drilling rigs, work-over rigs, slim hole and seismograph rigs.
- 温度 TEMPERATURE:** -40°C ~ +121°C (-40°F ~ +250°F)
- 结构 CONSTRUCTION:**
- 内层:** 合成橡胶, 全流量
 - Tube:** Synthetic rubber, full flow
 - 增强层:** 多层缠绕的高强度超柔钢丝
 - Reinforcement:** Multi-layer of high tensile super flexible spiral steel
 - 中间层:** 合成橡胶
 - Middle:** Synthetic rubber
 - 外层:** 耐磨、耐油、耐天候合成橡胶
 - Cover:** Abrasion, oil and weather resistant synthetic rubber
- 接头:** 扣压式接头, 由壬、法兰、卡箍等
- CONNECTION:** Crimped couplings, hammer unions, flanges, hubs, etc.
- 包装:** 成品总成包装在木箱中
- PACKAGING:** Finished assemblies packaged in wooden box.
- 选配:** 可根据要求提供安全夹、软管吊眼、安全链和铠装等配件。每个订单都会附带测试证书。
- OPTIONS:** Accessories such as safety clamps, hose lift eyes, safety chains and armor are available upon request. Test certificates are shipped with every order.

钻采软管系列 *AlienDrill*

柔性节流和压井软管 A831 (扣压式 铠装) FLEXIBLE CHOKE AND KILL HOSE (CRIMPED ARMORED)



胶管型号 Hose Part No.	压力等级 Pressure Level	内径 I.D.	外径 O.D.	工作压力 W.P.	试验压力 T.P.	爆破压力 B.P.	最小弯曲半径 Min.B.R.	重量 Weight
	psi	inch	mm	mm	psi	psi	psi	mm
A831-32-5K	5000	2	51	89	5000	7500	11250	1000
A831-48-5K		3	76	115				1200
A831-56-5K		3 1/2	89	133				1400
A831-64-5K		4	102	147				1600
A831-32-10K	10000	2	51	96	10000	15000	22500	1200
A831-40-10K		2 1/2	64	126				1600
A831-48-10K		3	76	140				1600
A831-64-10K		4	102	167				1800
A831-32-15K	15000	2	51	101	15000	22500	33750	1400
A831-48-15K		3	76	141				1600
A831-64-15K		4	102	171				2000

- 应用范围:** 节流压井管汇等的柔性连接管线, 在高压下输送含有硫化氢 (H₂S) 及其他危险气体的油气混合物及各种水基、油基、泡沫压井液等
- APPLICATION:** Flexible connection in the choke and kill manifolds for delivery oil-gas mixture that containing hydrogen sulfide (H₂S) and other dangerous gases and various water-based, oil-based and foam killing fluids under high pressure
- 温度 TEMPERATURE:** -29°C ~ +121°C (-20°F ~ +250°F), FSL 0/1/2/3
- 结构 CONSTRUCTION:**
- 内层:** 合成橡胶, 全流量
 - Tube:** Synthetic rubber, full flow
 - 增强层:** 多层缠绕的高强度超柔钢丝
 - Reinforcement:** Multi-layer of high tensile super flexible spiral steel wire
 - 中间层:** 合成橡胶
 - Middle:** Synthetic rubber
 - 外层:** 合成橡胶及耐高温、阻燃耐火玻璃纤维和铠装 (耐+704°C明火30分钟)
 - Cover:** Synthetic rubber, high temperature and flame resistant glass fiber and armor (resistant to 704 °C open fire for 30 minutes)
- 接头:** 扣压式接头, 由壬、法兰、卡箍等
- CONNECTION:** Crimped couplings, hammer unions, flanges, hubs, etc.
- 包装:** 成品总成包装在木箱中
- PACKAGING:** Finished assemblies packaged in wooden box.
- 选配:** 可根据要求提供安全夹、软管吊眼、安全链等配件。每个订单都会附带测试证书。
- OPTIONS:** Accessories such as safety clamps, hose lift eyes and safety chains are available upon request. Test certificates are shipped with every order.
- 标准 STANDARDS:** API Spec. 16C, ABS

钻采软管系列 *AlienDrill*

柔性节流和压井软管 A832 (扣压式 无铠装) FLEXIBLE CHOKE AND KILL HOSE (CRIMPED UNARMORED)



胶管型号 Hose Part No.	压力等级 Pressure Level	内径 I.D.		外径 O.D.	工作压力 W.P.	试验压力 T.P.	爆破压力 B.P.	最小弯曲半径 Min.B.R.	重量 Weight
	psi	inch	mm	mm	psi	psi	psi	mm	kg/m
A832-32-5K	5000	2	51	89	5000	7500	11250	1000	9.5
A832-48-5K		3	76	115				1200	14.8
A832-56-5K		3 1/2	89	133				1400	20
A832-64-5K		4	102	147				1600	30
A832-32-10K	10000	2	51	96	10000	15000	22500	1200	15
A832-40-10K		2 1/2	64	126				1600	25
A832-48-10K		3	76	140				1600	33
A832-64-10K		4	102	167				1800	52
A832-32-15K	15000	2	51	101	15000	22500	33750	1400	21
A832-48-15K		3	76	141				1600	33
A832-64-15K		4	102	171				2000	56

应用范围: 节流压井管汇等的柔性连接管线, 在高压下输送含有硫化氢 (H₂S) 及其他危险气体的油气混合物及各种水基、油基、泡沫压井液等

APPLICATION: Flexible connection in the chock and kill manifolds for delivery oil-gas mixture that containing hydrogen sulfide (H₂S) and other dangerous gases and various water-based, oil-based and foam killing fluids under high pressure

温度 TEMPERATURE: -29°C ~ +121°C (-20°F ~ +250°F), FSL 0/1/2/3

结构 CONSTRUCTION:

- 内层:** 合成橡胶, 全流量
- Tube:** Synthetic rubber, full flow
- 增强层:** 多层缠绕的高强度超柔钢丝
- Reinforcement:** Multi-layer of high tensile super flexible spiral steel wire
- 中间层:** 合成橡胶
- Middle:** Synthetic rubber
- 外层:** 耐磨、耐油、耐天候、耐高温、阻燃耐火合成橡胶 (耐+704°C明火30分钟)
- Cover:** Abrasion, oil, weather, high temperature and flame resistant synthetic rubber (resistant to 704 °C open fire for 30 minutes)

接头: 扣压式接头, 由壬、法兰、卡箍等
CONNECTION: Crimped couplings, hammer unions, flanges, hubs, etc.

包装: 成品总成包装在木箱中
PACKAGING: Finished assemblies packaged in wooden box.

选配: 可根据要求提供安全夹、软管吊眼、安全链和铠装等配件。每个订单都会附带测试证书。
OPTIONS: Accessories such as safety clamps, hose lift eyes, safety chains and armor are available upon request. Test certificates are shipped with every order.

标准 STANDARDS: API Spec. 16C, ABS

钻采软管系列 *AlienDrill*

柔性节流和压井软管 A833 (整体式 铠装) FLEXIBLE CHOKE AND KILL HOSE (BUILT-IN ARMORED)



胶管型号 Hose Part No.	压力等级 Pressure Level	内径 I.D.		外径 O.D.	工作压力 W.P.	试验压力 T.P.	爆破压力 B.P.	存储最小 弯曲半径 MBR(storage)	操作最小 弯曲半径 MBR(operation)	重量 Weight	最大生产长度 Length Max
	psi	inch	mm	mm	psi	psi	psi	mm	mm	kg/m	m
A833-32-5K	5000	2	51	139	5000	7500	11250	900	1000	31.8	61
A833-48-5K		3	76	165				1200	1300	42.6	61
A833-64-5K		4	102	243				1400	1500	107	61
A833-32-10K	10000	2	51	144	10000	15000	22500	900	1000	34.0	61
A833-48-10K		3	76	172				1400	1500	46.5	61
A833-64-10K		4	102	245				1500	1600	108.6	61
A833-32-15K	15000	2	51	162	15000	22500	33750	1200	1300	51.6	61
A833-48-15K		3	76	195				1500	1700	68.3	61

应用范围: 节流压井管汇等的柔性连接管线, 在高压下输送含有硫化氢 (H₂S) 及其他危险气体的油气混合物及各种水基、油基、泡沫压井液等

APPLICATION: Flexible connection in the chock and kill manifolds for delivery oil-gas mixture that containing hydrogen sulfide (H₂S) and other dangerous gases and various water-based, oil-based and foam killing fluids under high pressure

温度 TEMPERATURE: -29°C ~ +121°C (-20°F ~ +250°F), FSL 0/1/2/3

结构 CONSTRUCTION:

- 内层:** 合成橡胶, 全流量
- Tube:** Synthetic rubber, full flow
- 增强层:** 高强度钢丝绳
- Reinforcement:** High strength steel cable
- 中间层:** 合成橡胶
- Middle:** Synthetic rubber
- 外层:** 合成橡胶及耐高温、阻燃耐火玻璃纤维和铠装 (耐+704°C明火30分钟)
- Cover:** Synthetic rubber, high temperature and flame resistant glass fiber and armor (resistant to 704 °C open fire for 30 minutes)

接头: 整体式接头, 由壬、法兰、卡箍等
CONNECTION: Built-in couplings, hammer unions, flanges, hubs, etc.

包装: 成品总成包装在木箱中
PACKAGING: Finished assemblies packaged in wooden box.

选配: 可根据要求提供安全夹、软管吊眼、安全链等配件。每个订单都会附带测试证书。
OPTIONS: Accessories such as safety clamps, hose lift eyes and safety chains are available upon request. Test certificates are shipped with every order.

标准 STANDARDS: API Spec. 16C, ABS

钻采软管系列 *AlienDrill*

柔性节流和压井软管 A834 (整体式 无铠装) FLEXIBLE CHOKE AND KILL HOSE (BUILT-IN UNARMORED)



胶管型号 Hose Part No.	压力等级 Pressure Level	内径 I.D.	外径 O.D.	工作压力 W.P.	试验压力 T.P.	爆破压力 B.P.	存储最小 弯曲半径 MBR(storage)	操作最小 弯曲半径 MBR(operation)	重量 Weight	最大生产长度 Length Max	
	psi	inch	mm	mm	psi	psi	psi	mm	mm	kg/m	m
A834-32-5K	5000	2	51	130	5000	7500	11250	800	900	27.5	61
A834-48-5K		3	76	154				1100	1200	38	61
A834-64-5K		4	102	232				1400	1400	96	61
A834-32-10K	10000	2	51	135	10000	15000	22500	900	1000	30.2	61
A834-48-10K		3	76	160				1400	1500	39.6	61
A834-64-10K		4	102	235				1500	1600	97.3	61
A834-32-15K	15000	2	51	149	15000	22500	33750	1200	1300	44.8	61
A834-48-15K		3	76	182				1500	1700	59.7	61

应用范围: 节流压井管汇等的柔性连接管线, 在高压下输送含有硫化氢 (H₂S) 及其他危险气体的油气混合物及各种水基、油基、泡沫压井液等

APPLICATION: Flexible connection in the choke and kill manifolds for delivery oil-gas mixture that containing hydrogen sulfide (H₂S) and other dangerous gases and various water-based, oil-based and foam killing fluids under high pressure

温度 TEMPERATURE: -29°C ~ +121°C (-20°F ~ +250°F), FSL 0/1/2/3

结构 CONSTRUCTION:

- 内层:** 合成橡胶, 全流量
- Tube:** Synthetic rubber, full flow
- 增强层:** 高强度钢丝绳
- Reinforcement:** High strength steel cable
- 中间层:** 合成橡胶
- Middle:** Synthetic rubber
- 外层:** 耐磨、耐油、耐天候、耐高温、阻燃耐火合成橡胶 (耐+704°C明火30分钟)
- Cover:** Abrasion, oil, weather, high temperature and flame resistant synthetic rubber (resistant to 704 °C open fire for 30 minutes)

接头: 整体式接头, 由壬、法兰、卡箍等
CONNECTION: Built-in couplings, hammer unions, flanges, hubs, etc.

包装: 成品总成包装在木箱中
PACKAGING: Finished assemblies packaged in wooden box.

选配: 可根据要求提供安全夹、软管吊眼、安全链和铠装等配件。每个订单都会附带测试证书。
OPTIONS: Accessories such as safety clamps, hose lift eyes, safety chains and armor are available upon request. Test certificates are shipped with every order.

标准 STANDARDS: API Spec. 16C, ABS



钻采软管系列 *AlienDrill*

BOP 井控软管 A841 (扣压式 铠装) BOP CONTROL HOSE (CRIMPED ARMORED)



胶管型号 Hose Part No.	内径 I.D.	工作压力 W.P.	试验压力 T.P.	爆破压力 B.P.	最小弯曲半径 Min.B.R.	重量 Weight	
	inch	mm	psi	psi	psi	mm	kg/m
A841-06-3K	3/8	10	3000	6000	12000	152	0.9
A841-08-3K	1/2	13				229	1.1
A841-12-3K	3/4	19				305	1.5
A841-16-3K	1	25				381	2.7
A841-20-3K	1 1/4	32				457	3.7
A841-24-3K	1 1/2	38				559	4.5
A841-32-3K	2	51	686	5.8			
A841-06-5K	3/8	10	5000	10000	20000	152	1.3
A841-08-5K	1/2	13				229	1.5
A841-12-5K	3/4	19				305	2.0
A841-16-5K	1	25				381	3.1
A841-20-5K	1 1/4	32				457	4.9
A841-24-5K	1 1/2	38				559	5.8
A841-32-5K	2	51	686	8.4			

应用范围: 在井控系统中用于远程控制防喷器开合, 在高压下输送液压油
APPLICATION: Hydraulic control line for remotely control the blowout preventer (BOP) at high pressure

温度 TEMPERATURE: -40°C ~ +121°C (-40°F ~ +250°F)

结构 CONSTRUCTION:

- 内层:** 合成橡胶, 全流量
- Tube:** Synthetic rubber, full flow
- 增强层:** 多层缠绕的高强度超柔钢丝
- Reinforcement:** Multi-layer of high tensile super flexible spiral steel wire
- 中间层:** 合成橡胶
- Middle:** Synthetic rubber
- 外层:** 合成橡胶及耐高温、阻燃耐火玻璃纤维和铠装 (耐+704°C明火30分钟)
- Cover:** Synthetic rubber, high temperature and flame resistant glass fiber and armor (resistant to 704 °C open fire for 30 minutes)

接头: 扣压式接头, 由壬、法兰、卡箍等
CONNECTION: Crimped couplings, hammer unions, flanges, hubs, etc.

包装: 成品总成包装在木箱中
PACKAGING: Finished assemblies packaged in wooden box.

选配: 可根据要求提供安全夹、软管吊眼、安全链等配件。每个订单都会附带测试证书。
OPTIONS: Accessories such as safety clamps, hose lift eyes and safety chains are available upon request. Test certificates are shipped with every order.

标准 STANDARDS: API Spec. 16D



钻采软管系列 *AlienDrill*

BOP 井控软管 A842 (扣压式 无铠装) BOP CONTROL HOSE (CRIMPED UNARMORED)



胶管型号 Hose Part No.	内径 I.D.		工作压力 W.P.	试验压力 T.P.	爆破压力 B.P.	最小弯曲半径 Min.B.R.	重量 Weight
	inch	mm	psi	psi	psi	mm	kg/m
A842-06-3K	3/8	10	3000	6000	12000	152	0.9
A842-08-3K	1/2	13				229	1.1
A842-12-3K	3/4	19				305	1.5
A842-16-3K	1	25				381	2.7
A842-20-3K	1 1/4	32				457	3.7
A842-24-3K	1 1/2	38				559	4.5
A842-32-3K	2	51				686	5.8
A842-06-5K	3/8	10	5000	10000	20000	152	1.3
A842-08-5K	1/2	13				229	1.5
A842-12-5K	3/4	19				305	2.0
A842-16-5K	1	25				381	3.1
A842-20-5K	1 1/4	32				457	4.9
A842-24-5K	1 1/2	38				559	5.8
A842-32-5K	2	51				686	8.4

应用范围: 在井控系统中用于远程控制防喷器开合, 在高压下输送液压油
APPLICATION: Hydraulic control line for remotely control the blowout preventer (BOP) at high pressure

温度 TEMPERATURE: -40°C ~ +121°C (-40°F ~ +250°F)

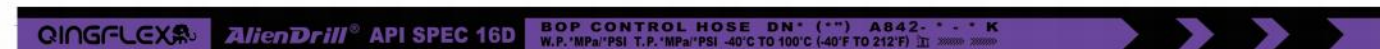
结构 CONSTRUCTION:
内层: 合成橡胶, 全流量
Tube: Synthetic rubber, full flow
增强层: 多层缠绕的高强度超柔钢丝
Reinforcement: Multi-layer of high tensile super flexible spiral steel wire
中间层: 合成橡胶
Middle: Synthetic rubber
外层: 耐磨、耐油、耐天候、耐高温、阻燃耐火合成橡胶 (耐+704°C明火30分钟)
Cover: Abrasion, oil, weather, high temperature and flame resistant synthetic rubber (resistant to 704 °C open fire for 30 minutes)

接头: 扣压式接头, 由壬、法兰、卡箍等
CONNECTION: Crimped couplings, hammer unions, flanges, hubs, etc.

包装: 成品总成包装在木箱中
PACKAGING: Finished assemblies packaged in wooden box.

选配: 可根据要求提供安全夹、软管吊眼、安全链等配件。每个订单都会附带测试证书。
OPTIONS: Accessories such as safety clamps, hose lift eyes and safety chains are available upon request. Test certificates are shipped with every order.

标准 STANDARDS: API Spec. 16D



钻采软管系列 *AlienDrill*

柔性流送软管 A853 (整体式) FLOW LINE HOSE (BUILT-IN)



胶管型号 Hose Part No.	内径 I.D.	外径 O.D.	工作压力 W.P.	试验压力 T.P.	爆破压力 b.P.	是否 防火	存储最小 弯曲半径 MBR(storage)	操作最小 弯曲半径 MBR(operation)	重量 Weight	最大生产长度 Length Max	
	inch	mm	mm	psi	psi	psi	Flame Shield	mm	mm	kg/m	m
A853-32-3K	2	51	128	3000	4500	6750	YES	900	1000	28	61
A853-32-5K	2	51	136	5000	7500	11250	YES	1000	1100	32	61
A853-48-3K	3	76	153	3000	4500	6750	YES	1100	1300	32	61
A853-48-5K	3	76	163	5000	7500	11250	YES	1200	1400	41	61
A853-64-3K	4	102	198	3000	4500	6750	YES	1300	1500	66	61
A853-64-5K	4	102	212	5000	7500	11250	YES	1400	1600	71	61
A853-80-3K	5	127	223	3000	4500	6750	YES	1500	1700	80	61
A853-80-5K	5	127	237	5000	7500	11250	YES	1600	1800	90	61
A853-96-3K	6	152	249	3000	4500	6750	YES	1750	2000	95	61
A853-96-5K	6	152	265	5000	7500	11250	YES	1850	2100	106	61
A853-128-3K	8	203	315	3000	4500	6750	YES	2200	2400	118	61
A853-128-5K	8	203	322	5000	7500	11250	YES	2300	2500	126	61

应用范围: 应用于含有低硫介质、酸性介质、含有芳烃介质的输送和注射使用, 以及气体输送、跨接、流送管线等
APPLICATION: Operate between water well, core drill, blast, or shot hole operations on portable drilling rigs, work-over rigs, slim hole and seismograph rigs.

温度 TEMPERATURE: -25°C ~ +100°C (-13°F ~ +212°F)

结构 CONSTRUCTION:
内层: 不锈钢套骨架及防硫化氢、耐油、耐腐蚀、耐高温、耐气体渗透的合成橡胶
Tube: Stainless steel carcass, H₂S, oil, corrosion, high temp., gas permeation resistant synthetic rubber
增强层: 高强度钢丝绳
Reinforcement: High strength steel cable
中间层: 合成橡胶
Middle: Synthetic rubber
外层: 阻燃玻璃纤维和耐磨、耐油、耐天候合成橡胶
Cover: Flame resistant glass fiber, abrasion, oil and weather resistant synthetic rubber

接头: 整体式接头, 由壬、法兰、卡箍等
CONNECTION: Built-in couplings, hammer unions, flanges, hubs, etc.

包装: 成品总成包装在木箱中
PACKAGING: Finished assemblies packaged in wooden box.

选配: 可根据要求提供安全夹、软管吊眼、安全链和铠装等配件。每个订单都会附带测试证书。
OPTIONS: Accessories such as safety clamps, hose lift eyes, safety chains and armor are available upon request. Test certificates are shipped with every order.

标准 STANDARDS: API Spec. 17K



钻采软管系列 **AlienDrill**

耐火张力胶管 A854 (整体式) FIRE-RATED TENSIONER HOSE (BUILT-IN)



胶管型号 Hose Part No.	内径 I.D.	外径 O.D.	工作压力 W.P.	试验压力 T.P.	爆破压力 b.P.	存储最小 弯曲半径 MBR(storage)	操作最小 弯曲半径 MBR(operation)	重量 Weight	最大生产长度 Length Max	
	inch	mm	mm	psi	psi	psi	mm	mm	kg/m	m
A854-64-15K	4	102	194	3000	6000	7500	1400	1600	57.6	61
A854-96-15K	6	152	227	3000	6000	7500	1600	1800	82	61
A854-128-15K	8	203	300	3000	6000	7500	2000	2200	100	61

应用范围: 配套于深水半潜式钻井平台的张紧器系统, 输送抗燃液压油, 补偿钻杆上下浮动行程
APPLICATION: Flexible connection between the upper end of the standpipe and the top drive/swivel and between the pump and the lower end of the standpipe for pumping mud at high pressure in oil drilling and exploration work.

温度 TEMPERATURE: -25°C ~ +82°C (-13°F ~ +179.6°F) range I, FSL1

结构 CONSTRUCTION:
内层: 不锈钢骨架及防硫化氢、耐油、耐腐蚀、耐高温、耐气体渗透的合成橡胶
Tube: Stainless steel carcass, H₂S, oil, corrosion, high temp., gas permeation resistant synthetic rubber
增强层: 高强度钢丝绳
Reinforcement: High strength steel cable
中间层: 合成橡胶
Middle: Synthetic rubber
外层: 阻燃玻璃纤维和耐磨、耐油、耐天候合成橡胶
Cover: Flame resistant glass fiber, abrasion, oil and weather resistant synthetic rubber

接头: 整体式接头, 由壬、法兰、卡箍等
CONNECTION: Built-in couplings, hammer unions, flanges, hubs, etc.

包装: 成品总成包装在木箱中
PACKAGING: Finished assemblies packaged in wooden box.

选配: 可根据要求提供安全夹、软管吊眼、安全链和铠装等配件。每个订单都会附带测试证书。
OPTIONS: Accessories such as safety clamps, hose lift eyes, safety chains and armor are available upon request. Test certificates are shipped with every order.

标准 STANDARDS: API Spec. 7K / 17K

陆上/ 海上低压软管

ONSHORE/OFFSHORE LOW PRESSURE HOSE



多功能输送软管
MUTI-PURPOSE DELIVERY HOSE



胶管型号 Hose Part No.	内径 I.D.	外径 O.D.	工作压力 W.P.	试验压力 T.P.	爆破压力 B.P.	最小弯曲半径 Min.B.R.	温度范围 Temperature range
	inch	mm	psi	psi	psi	mm	kg/m
I101-16	1	35	150	225	600	150	-30°C~+100°C
I101-20	1-1/4	42	150	225	600	200	-30°C~+100°C
I101-24	1-1/2	53	150	225	600	250	-30°C~+100°C
I101-32	2	67	150	225	600	350	-30°C~+100°C
I101-40	2-1/2	80	150	225	600	450	-30°C~+100°C
I101-48	3	92	150	225	600	500	-30°C~+100°C
I101-64	4	119	150	225	600	650	-30°C~+100°C
I101-80	5	146	150	225	600	800	-30°C~+100°C
I101-96	6	172	150	225	600	950	-30°C~+100°C
I102-16	1	35	300	225	1200	150	-30°C~+100°C
I102-20	1-1/4	42	300	450	1200	200	-30°C~+100°C
I102-24	1-1/2	53	300	450	1200	250	-30°C~+100°C
I102-32	2	67	300	450	1200	350	-30°C~+100°C
I102-40	2-1/2	80	300	450	1200	450	-30°C~+100°C
I102-48	3	92	300	450	1200	500	-30°C~+100°C
I102-64	4	123	300	450	1200	650	-30°C~+100°C
I102-80	5	150	300	450	1200	800	-30°C~+100°C
I102-96	6	176	300	450	1200	950	-30°C~+100°C

应用范围: 用于输送润滑油、汽油、柴油、燃油、海水、淡水、泥浆和空气等。
APPLICATION: This hose is used in delivering lubricating oil, gasoline, diesel, fuel oil, seawater, fresh water, mud and air etc.

温度 TEMPERATURE: -30°C ~ +100°C (-22°F ~ +212)

结构 CONSTRUCTION:
内层: 黑色、光滑、PVC/NBR 橡胶
Tube: Black, smooth, PVC/NBR rubber
增强层: 高强度合成帘线, 加导电铜丝 (输油时)
Reinforcement: High strength synthetic cord, plus antistatic copper wire (oil application)
外层: 黑色/彩色合成橡胶。耐候、耐磨、耐油、耐海水
Cover: Black/colored synthetic rubber. Resistant to weathering, abrasion, oil and sea water.

QINGFLEX MUTI-PURPOSE DELIVERY HOSE I101-** DN** (*") -30TO+100°C W.P.10 BAR
 -22TO+212°F W.P.150 PSI

QINGFLEX MUTI-PURPOSE DELIVERY HOSE I102-** DN** (*") -30TO+100°C W.P.21 BAR
 -22TO+212°F W.P.300 PSI

粉体 (重晶石/水泥) 输送软管
POWDER (BARITE/CEMENT) DELIVERY HOSE



胶管型号 Hose Part No.	内径 I.D.	外径 O.D.	工作压力 W.P.	试验压力 T.P.	爆破压力 B.P.	最小弯曲半径 Min.B.R.	温度范围 Temperature range
	inch	mm	psi	psi	psi	mm	kg/m
I111-16	1	39	150	225	600	150	-30°C~+100°C
I111-20	1-1/4	46	150	225	600	200	-30°C~+100°C
I111-24	1-1/2	56	150	225	600	250	-30°C~+100°C
I111-32	2	69	150	225	600	350	-30°C~+100°C
I111-40	2-1/2	82	150	225	600	450	-30°C~+100°C
I111-48	3	94	150	225	600	500	-30°C~+100°C
I111-64	4	123	150	225	600	650	-30°C~+100°C
I111-80	5	148	150	225	600	800	-30°C~+100°C
I111-96	6	174	150	225	600	950	-30°C~+100°C
I112-16	1	39	300	225	1200	150	-30°C~+100°C
I112-20	1-1/4	46	300	450	1200	200	-30°C~+100°C
I112-24	1-1/2	56	300	450	1200	250	-30°C~+100°C
I112-32	2	69	300	450	1200	350	-30°C~+100°C
I112-40	2-1/2	82	300	450	1200	450	-30°C~+100°C
I112-48	3	94	300	450	1200	500	-30°C~+100°C
I112-64	4	127	300	450	1200	650	-30°C~+100°C
I112-80	5	152	300	450	1200	800	-30°C~+100°C
I112-96	6	178	300	450	1200	950	-30°C~+100°C

应用范围: 用于输送重晶石、水泥等粉状物
APPLICATION: This hose is used in delivering barite/cement powder etc.

温度 TEMPERATURE: -30°C ~ +100°C (-22°F ~ +212)

结构 CONSTRUCTION:
内层: 黑色、光滑、耐磨的 NR/SBR 橡胶
Tube: Black, smooth, abrasion resistant NR/SBR rubber.
增强层: 高强度合成帘线
Reinforcement: High strength synthetic cord.
外层: 黑色/彩色合成橡胶。耐候、耐磨、耐臭氧、耐海水
Cover: Black/colored synthetic rubber. Abrasion, weathering, ozone, and sea-water resistant

QINGFLEX POWDER (BARITE/CEMENT) DELIVERY HOSE I111-** DN** (*") -30TO+100°C W.P.10 BAR
 -22TO+212°F W.P.150 PSI

QINGFLEX POWDER (BARITE/CEMENT) DELIVERY HOSE I112-** DN** (*") -30TO+100°C W.P.21 BAR
 -22TO+212°F W.P.300 PSI

多功能吸排软管

MUTI-PURPOSE SUCTION AND DISCHARGE HOSE



胶管型号 Hose Part No.	内径 I.D.	外径 O.D.	工作压力 W.P.	试验压力 T.P.	爆破压力 B.P.	最小弯曲半径 Min.B.R.	温度范围 Temperature range
	inch	mm	psi	psi	psi	mm	kg/m
I201-16	1	37	150	225	600	150	-30°C~+100°C
I201-24	1-1/2	51	150	225	600	200	-30°C~+100°C
I201-32	2	66	150	225	600	300	-30°C~+100°C
I201-40	2-1/2	80	150	225	600	350	-30°C~+100°C
I201-48	3	92	150	225	600	400	-30°C~+100°C
I201-64	4	123	150	225	600	550	-30°C~+100°C
I201-80	5	150	150	225	600	650	-30°C~+100°C
I201-96	6	176	150	225	600	800	-30°C~+100°C
I202-16	1	37	300	225	1200	150	-30°C~+100°C
I202-24	1-1/2	51	300	450	1200	200	-30°C~+100°C
I202-32	2	70	300	450	1200	300	-30°C~+100°C
I202-40	2-1/2	84	300	450	1200	350	-30°C~+100°C
I202-48	3	96	300	450	1200	400	-30°C~+100°C
I202-64	4	127	300	450	1200	550	-30°C~+100°C
I202-80	5	154	300	450	1200	650	-30°C~+100°C
I202-96	6	180	300	450	1200	800	-30°C~+100°C

应用范围: 用于输送和泵送润滑油、汽油、柴油、燃油、海水、淡水、海水、泥浆和空气等
APPLICATION: This hose is used in delivering and pumping lubricating, gasoline, diesel, fuel oil, sea water, fresh water, mud and air etc.

温度 TEMPERATURE: -30°C ~ +100°C (-22°F ~ +212)

结构 CONSTRUCTION:
内层: 黑色、光滑、PVC/NBR 橡胶
Tube: Black, smooth, PVC/NBR rubber.
增强层: 高强度合成帘线, 螺旋钢丝, 加导电铜丝 (输油时)
Reinforcement: High strength synthetic cord with Steel helix wire, plus antistatic copper wire (oil application).
外层: 黑色/彩色合成橡胶。耐候、耐磨、耐油、耐海水
Cover: Black/colored synthetic rubber. Resistant to weathering, abrasion, oil and sea water.

QINGFLEX MUTI-PURPOSE SUCTION AND DISCHARGE HOSE I201-** DN**(*") -30TO+100°C W.P.10 BAR
 -22TO+212°F W.P.150 PSI

QINGFLEX MUTI-PURPOSE SUCTION AND DISCHARGE HOSE I202-** DN**(*") -30TO+100°C W.P.21 BAR
 -22TO+212°F W.P.300 PSI

粉体 (重晶石/水泥) 吸排软管

POWDER (BARITE/CEMENT) SUCTION AND DISCHARGE HOSE



胶管型号 Hose Part No.	内径 I.D.	外径 O.D.	工作压力 W.P.	试验压力 T.P.	爆破压力 B.P.	最小弯曲半径 Min.B.R.	温度范围 Temperature range
	inch	mm	psi	psi	psi	mm	kg/m
I211-16	1	41	150	225	600	150	-30°C~+100°C
I211-24	1-1/2	55	150	225	600	200	-30°C~+100°C
I211-32	2	68	150	225	600	300	-30°C~+100°C
I211-40	2-1/2	82	150	225	600	350	-30°C~+100°C
I211-48	3	94	150	225	600	400	-30°C~+100°C
I211-64	4	125	150	225	600	550	-30°C~+100°C
I211-80	5	153	150	225	600	650	-30°C~+100°C
I211-96	6	178	150	225	600	800	-30°C~+100°C
I212-16	1	41	300	450	1200	150	-30°C~+100°C
I212-24	1-1/2	55	300	450	1200	200	-30°C~+100°C
I212-32	2	72	300	450	1200	300	-30°C~+100°C
I212-40	2-1/2	86	300	450	1200	350	-30°C~+100°C
I212-48	3	98	300	450	1200	400	-30°C~+100°C
I212-64	4	131	300	450	1200	550	-30°C~+100°C
I212-80	5	157	300	450	1200	650	-30°C~+100°C
I212-96	6	182	300	450	1200	800	-30°C~+100°C

应用范围: 用于输送和泵送重晶石、水泥等粉状物
APPLICATION: This hose is used in delivering and pumping barite/cement powder etc.

温度 TEMPERATURE: -30°C ~ +100°C (-22°F ~ +212)

结构 CONSTRUCTION:
内层: 黑色、光滑、耐磨的 NR/SBR 橡胶
Tube: Black, smooth, abrasion resistant NR/SBR rubber.
增强层: 高强度合成帘线, 螺旋钢丝
Reinforcement: High strength synthetic cord with Steel helix wire.
外层: 黑色/彩色合成橡胶。耐磨、耐候、耐臭氧、耐海水
Cover: Black/colored synthetic rubber. Abrasion, weathering, ozone, and sea-water resistant

QINGFLEX POWDER (BARITE/CEMENT) SUCTION AND DISCHARGE HOSE I211-** DN**(*") -30TO+100°C W.P.10 BAR
 -22TO+212°F W.P.150 PSI

QINGFLEX POWDER (BARITE/CEMENT) SUCTION AND DISCHARGE HOSE I212-** DN**(*") -30TO+100°C W.P.21 BAR
 -22TO+212°F W.P.300 PSI

陆上/海上低压软管 ONSHORE/OFFSHORE LOW PRESSURE HOSE

海水喷射软管
LEG JETTING HOSE



胶管型号 Hose Part No.	内径 I.D.	外径 O.D.	工作压力 W.P.	试验压力 T.P.	爆破压力 B.P.	最小弯曲半径 Min.B.R.	温度范围 Temperature range
	inch	mm	psi	psi	psi	mm	kg/m
I301-32	2	79	2000	3000	8000	700	-30°C~+100°C
I301-40	2-1/2	92	2000	3000	8000	800	-30°C~+100°C
I301-48	3	114	2000	3000	8000	1000	-30°C~+100°C
I301-56	3-1/2	127	2000	3000	8000	1200	-30°C~+100°C
I301-64	4	136	2000	3000	8000	1300	-30°C~+100°C
I301-80	5	169	2000	3000	8000	1400	-30°C~+100°C
I301-96	6	193	2000	3000	8000	1450	-30°C~+100°C
I302-32	2	85	3000	4500	12000	700	-30°C~+100°C
I302-40	2-1/2	100	3000	4500	12000	800	-30°C~+100°C
I302-48	3	111	3000	4500	12000	1000	-30°C~+100°C
I302-56	3-1/2	127	3000	4500	12000	1200	-30°C~+100°C
I302-64	4	142	3000	4500	12000	1350	-30°C~+100°C

应用范围: 用于输送海水, 作为自升式平台主甲板与桩腿之间的柔性连接
APPLICATION: This hose is used in delivering sea water as flexible connection between the main deck of jack-up platform and pile leg.

温度 TEMPERATURE: -30°C ~ +100°C (-22°F ~ +212)

结构 CONSTRUCTION:
内层: 黑色、光滑、NBR 橡胶, 耐海水和油
Tube: Black, smooth, NBR rubber, resistant to seawater and oil.
增强层: 两层或四层缠绕钢丝
Reinforcement: Two or four layer steel wire.
外层: 黑色合成橡胶。耐候、耐磨、耐油、耐海水
Cover: Black synthetic rubber. Resistant to weathering, abrasion, oil and seawater.

陆上/海上低压软管 ONSHORE/OFFSHORE LOW PRESSURE HOSE

防火软管
FIRE PROOF HOSE



胶管型号 Hose Part No.	内径 I.D.	外径 O.D.	工作压力 W.P.	试验压力 T.P.	爆破压力 B.P.	最小弯曲半径 Min.B.R.	温度范围 Temperature range
	inch	mm	psi	psi	psi	mm	kg/m
I401-24	1-1/2	64	300	600	1500	260	-30°C~+100°C
I401-32	2	77	300	600	1500	300	-30°C~+100°C
I401-40	2-1/2	90	300	600	1500	380	-30°C~+100°C
I401-48	3	103	300	600	1500	500	-30°C~+100°C
I401-56	3-1/2	116	300	600	1500	650	-30°C~+100°C
I401-64	4	133	300	600	1500	850	-30°C~+100°C
I401-80	5	160	300	600	1500	1100	-30°C~+100°C
I401-96	6	192	300	600	1500	1300	-30°C~+100°C

应用范围: 用于灭火系统, 输送消防等易燃液体、水、燃油等
APPLICATION: This hose can be used in fire extinguishing system to deliver flammable fluid like fire fighting water and fuel oil etc.

温度 TEMPERATURE: -30°C ~ +100°C (-22°F ~ +212)

结构 CONSTRUCTION:
内层: 黑色、光滑、NBR 橡胶, 耐油、海水、化学产品和灭火泡沫
Tube: Black, smooth, NBR rubber, resistant to oil, seawater, chemical products and fire extinguishing foams.
增强层: 两层或四层缠绕钢丝
Reinforcement: Two or four layer steel wire.
防火层: 特殊阻燃层
Firelayer: Special flame retardant layer.
外层: 黑色/红色, 橡胶混合物, 耐火、耐候、耐磨、耐油、耐海水
Cover: Black/red, rubber compound, Resistant to fire, weathering, abrasion, oil and seawater.
耐火等级 Fire-rated: 800°C × 30mins

QINGFLEX FIRE PROOF HOSE I401-** DN**(*") -30TO+100°C W.P. 21 BAR
-22TO+212°F W.P. 300 PSI

QINGFLEX LEG JETTING HOSE I301-** DN**(*") -30TO+100°C W.P. 138 BAR
-22TO+212°F W.P. 2000 PSI

QINGFLEX LEG JETTING HOSE I302-** DN**(*") -30TO+100°C W.P. 207 BAR
-22TO+212°F W.P. 3000 PSI

饮用水/FDA软管
POTABLE WATER/FDA HOSE



胶管型号 Hose Part No.	内径 I.D.	外径 O.D.	工作压力 W.P.	试验压力 T.P.	爆破压力 B.P.	最小弯曲半径 Min.B.R.	温度范围 Temperature range
	inch	mm	psi	psi	psi	mm	kg/m
I501-24	1-1/2	51	150	300	600	220	-30°C~+100°C
I501-32	2	64	150	300	600	300	-30°C~+100°C
I501-40	2-1/2	78	150	300	600	380	-30°C~+100°C
I501-48	3	90	150	300	600	450	-30°C~+100°C
I501-64	4	120	150	300	600	550	-30°C~+100°C
I501-96	6	171	150	300	600	750	-30°C~+100°C

- 应用范围:** 可用于食品输送系统, 输送饮用水、牛奶、啤酒等
APPLICATION: This hose can be used in food delivery system to deliver Potable water,milk,beer etc.
- 温度 TEMPERATURE:** -30°C ~ +100°C (-22°F~+212)
- 结构 CONSTRUCTION:**
- 内层:** 白色、光滑的合成橡胶
 - Tube:** White,smooth,rubber compound.
 - 增强层:** 高强度合成帘线, 可带螺旋钢丝
 - Reinforcement:** High strength synthetic cord or/with steel helix wire.
 - 外层:** 蓝色/白色/绿色, 合成橡胶, 耐候、耐磨、耐油、耐海水
 - Cover:** Blue/white/green,rubber compound,Resistant to weathering,abrasion,oil and sea water.

大口径吸排胶管
LARGE-DIAMETER SUCTION AND DISCHARGE HOSE



胶管型号 Hose Part No.	内径 I.D.	外径 O.D.	工作压力 W.P.	试验压力 T.P.	爆破压力 B.P.	最小弯曲半径 Min.B.R.	温度范围 Temperature range
	inch	mm	psi	psi	psi	mm	kg/m
I601-96	6	152	150	225	600	800	-30°C~+100°C
I601-128	8	203	150	225	600	1100	-30°C~+100°C
I601-160	10	254	150	225	600	1300	-30°C~+100°C
I601-192	12	305	150	225	600	1600	-30°C~+100°C
I601-224	14	355	150	225	600	2200	-30°C~+100°C
I601-256	16	405	150	225	600	2500	-30°C~+100°C

- 应用范围:** 用于输送海水、淡水、油品等
APPLICATION: This hose is used in delivering seawater,fresh water,oil etc.
- 温度 TEMPERATURE:** -30°C ~ +100°C (-22°F~+212)
- 结构 CONSTRUCTION:**
- 内层:** 黑色、光滑、PVC/NBR 橡胶
 - Tube:** Black,smooth,PVC/NBR rubber.
 - 增强层:** 高强度合成帘线, 螺旋钢丝, 加导电铜丝 (输油时)
 - Reinforcement:** High strength synthetic cord with Steel helix wire,plus antistatic copper wire(oil application).
 - 外层:** 黑色合成橡胶。耐候、耐磨、耐油、耐海水。
 - Cover:** Black synthetic rubber.Resistant to weathering,abrasion,oil and seawater.

Industrial Hose

工业胶管

空气Air

水Water

油Oil

物料Material

化学Chemical

食物Food

QINGFLEX®

AIR HOSE
LIGHT DUTY

IA101-**

DN**(**)

-40 TO 80°C
-40 TO 176°F
W.P. 5 BAR
W.P. 73 PSI

DN**(**)

-25 TO 70°C
-13 TO 158°F
W.P. 10 BAR
W.P. 145 PSI

W.P. 10 BAR
W.P. 150 PSI

QINGFLEX®

ACID-SOLVENT
CHEMICAL
DELIVERY HOSE

IC502-**

DN**(**)

-30°C TO +100°C
-22°F TO +212°F
W.P. 10 BAR
W.P. 150 PSI

DN**(**)

-25 TO 70°C
-13 TO 158°F
W.P. 10 BAR
W.P. 145 PSI

W.P. 10 BAR
W.P. 150 PSI

QINGFLEX®

FIRE-RATED
OIL HOSE

IO341-**

DN**(**)

-25 TO 70°C
-13 TO 158°F
W.P. 10 BAR
W.P. 145 PSI

DN**(**)

-25 TO 70°C
-13 TO 158°F
W.P. 10 BAR
W.P. 145 PSI

W.P. 10 BAR
W.P. 145 PSI

QINGFLEX®

WATER LAY
FLAT HOSE

IW202-**

DN**(**)

-25 TO 70°C
-13 TO 158°F
W.P. 10 BAR
W.P. 145 PSI

DN**(**)

-25 TO 70°C
-13 TO 158°F
W.P. 10 BAR
W.P. 145 PSI

W.P. 10 BAR
W.P. 145 PSI

空气热风蒸汽 AIR·HOT AIR·STEAM

轻型空气管

LIGHT DUTY AIR HOSE

空气管

AIR HOSE



IA101



IA102

胶管型号 Hose Part No.	内径 I.D.		外径 O.D.	工作压力 W.P.		爆破压力 B.P.		最小弯曲半径 Min.B.R.		重量 Weight
标准管 Standard	inch	mm	mm	Bar	Psi	Bar	Psi	inch	mm	kg/m
IA101-03	3/16"	4.5	10	10	150	40	600	1.38	35	0.1
IA101-04	1/4"	6	11	10	150	40	600	1.50	38	0.11
IA101-05	5/16"	8	14	10	150	40	600	1.77	45	0.16
IA101-06	3/8"	10	16	10	150	40	600	2.17	55	0.19
IA101-08	1/2"	13	19	10	150	40	600	2.91	74	0.23
IA101-10	5/8"	16	23	10	150	40	600	3.82	97	0.33
IA101-12	3/4"	19	27	10	150	40	600	4.53	115	0.44
IA101-16	1"	25	34	10	150	40	600	6.30	160	0.63

胶管型号 Hose Part No.	内径 I.D.		外径 O.D.	工作压力 W.P.		爆破压力 B.P.		最小弯曲半径 Min.B.R.		重量 Weight
标准管 Standard	inch	mm	mm	Bar	Psi	Bar	Psi	inch	mm	kg/m
IA102-04	1/4"	6	12	20	300	64	960	1.69	43	0.16
IA102-05	5/16"	8	15	20	300	64	960	2.09	53	0.19
IA102-06	3/8"	10	17	20	300	64	960	2.52	64	0.27
IA102-08	1/2"	13	21	20	300	64	960	3.31	84	0.39
IA102-10	5/8"	16	25	20	300	64	960	4.21	107	0.45
IA102-12	3/4"	19	29	20	300	64	960	5.00	127	0.58
IA102-16	1"	25	36	20	300	64	960	6.69	170	1.89

应用范围: 用于输送压缩空气以及其他一般用途
APPLICATION: For delivery of compressed air and other general purposes

温度 TEMPERATURE: -25°C ~ +70°C (-13°F ~ +158°F)

结构 CONSTRUCTION: **内层:** 黑色耐油雾天然橡胶和合成橡胶
Tube: Black oil-mist resistant natural and synthetic rubber
增强层: 高强度纤维编织
Reinforcement: High tensile synthetic textile braid
外层: 光面耐磨耐候耐臭氧天然橡胶和合成橡胶
Cover: Abrasion, weather and ozone resistant smooth natural and synthetic rubber

QINGFLEX® AIR HOSE LIGHT DUTY IA101-** DN**(**) -25 TO 70°C W.P. 10 BAR
 -13 TO 158°F W.P. 145 PSI

QINGFLEX® AIR HOSE IA102-** DN**(**) -25 TO 70°C W.P. 20 BAR
 -13 TO 158°F W.P. 290 PSI

水 WATER

EPDM可折叠水管 EPDM WATER LAYFLAT HOSE



胶管型号 Hose Part No.	内径 I.D.	外径 O.D.	工作压力 W.P.		爆破压力 B.P.		重量 Weight	
标准管 Standard	inch	mm	Bar	Psi	Bar	Psi	kg/m	
IW202-20	1-1/4"	32	40	10	150	30	450	0.46
IW202-24	1-1/2"	38	46	10	150	30	450	0.54
IW202-28	1-3/4"	45	53	10	150	30	450	0.66
IW202-32	2"	51	59	10	150	30	450	0.73
IW202-36	2-3/8"	60	68	10	150	30	450	0.86
IW202-40	2-1/2"	63	71	10	150	30	450	0.89
IW202-44	2-3/4"	70	78	10	150	30	450	1.19
IW202-48	3"	76	84	10	150	30	450	1.28
IW202-56	3-1/2"	90	98	10	150	30	450	1.48
IW202-64	4"	102	110	10	150	30	450	1.77
IW202-80	5"	127	137	10	150	30	450	2.40
IW202-96	6"	152	162	10	150	30	450	2.97

应用范围: 用于输送海水、淡水和一般用途
APPLICATION: For delivery of seawater, freshwater and general purposes

温度 TEMPERATURE: -25°C ~ +70°C (-13°F ~ +158°F)

结构 CONSTRUCTION: **内层:** 黑色合成橡胶
Tube: Black synthetic rubber
增强层: 纤维增强层
Reinforcement: Fiber reinforced layer

外层: 黑色布面耐候耐臭氧耐磨合成橡胶
Cover: Black wrapped weather and ozone resistant synthetic rubber

水 WATER

吸排水管 WATER SUCTION & DISCHARGE HOSE



胶管型号 Hose Part No.	内径 I.D.	外径 O.D.	工作压力 W.P.		爆破压力 B.P.		最小弯曲半径 Min.B.R.		重量 Weight	
标准管 Standard	inch	mm	mm	Bar	Psi	Bar	Psi	inch	mm	kg/m
IW211-12	3/4"	19	29	10	150	30	450	2.56	65	0.55
IW211-16	1"	25	36	10	150	30	450	3.54	90	0.71
IW211-20	1-1/4"	32	43	10	150	30	450	4.33	110	0.93
IW211-24	1-1/2"	38	49	10	150	30	450	5.12	130	1.21
IW211-28	1-3/4"	45	57	10	150	30	450	6.30	160	1.65
IW211-32	2"	51	63	10	150	30	450	7.87	200	1.75
IW211-40	2-1/2"	63	76.5	10	150	30	450	10.63	270	2.30
IW211-44	2-3/4"	70	83	10	150	30	450	12.20	310	2.55
IW211-48	3"	76	89.5	10	150	30	450	13.39	340	2.85
IW211-64	4"	102	116	10	150	30	450	17.72	450	3.93
IW211-80	5"	127	145	10	150	30	450	25.59	650	5.86
IW211-96	6"	152	171	10	150	30	450	31.50	800	7.60
IW211-128	8"	203	218	10	150	30	450	39.37	1000	8.54
IW211-160	10"	254	270	10	150	30	450	47.24	1200	10.12
IW211-192	12"	305	321	10	150	30	450	59.06	1500	13.38

应用范围: 用于输送海水、淡水和一般用途
APPLICATION: For delivery of seawater, freshwater and general purposes

温度 TEMPERATURE: -25°C ~ +70°C (-13°F ~ +158°F)

结构 CONSTRUCTION: **内层:** 天然胶和合成橡胶
Tube: Natural and synthetic rubber

增强层: 纤维增强层和螺旋钢丝
Reinforcement: High tensile textile synthetic yarn and steel helix wire

外层: 黑色布面耐候耐臭氧耐磨合成橡胶
Cover: Abrasion resistant, weather and ozone resistant synthetic rubber

水 WATER

防火海水输送管 FIRE-RATED SEAWATER HOSE



胶管型号 Hose Part No.	内径 I.D.		外径 O.D.	工作压力 W.P.		爆破压力 B.P.		最小弯曲半径 Min.B.R.		重量 Weight
标准管 Standard	inch	mm	mm	Bar	Psi	Bar	Psi	inch	mm	kg/m
IW231-32	2"	51	80	20	300	100	1500	12.2	310	4.5
IW231-40	2-1/2"	64	91	20	300	100	1500	13.8	350	6.0
IW231-48	3"	76	105	20	300	100	1500	19.7	500	6.3
IW231-56	3-1/2"	89	116	20	300	100	1500	21.6	550	7.0
IW231-64	4"	102	134	20	300	100	1500	23.6	600	9.3
IW231-80	5"	127	160	20	300	100	1500	39.3	1000	12.8
IW231-96	6"	152	193	20	300	100	1500	51.2	1300	17.5
IW231-128	8"	203	249	20	300	100	1500	59.1	1500	27.3

应用范围: 主要用于海工平台的消防系统的海水输送, 以及输送汽油、柴油、芳烃含量达到 50% 的燃料油、泥浆、空气, 和一般用途。软管工作时可直接暴露在 800°C 火焰里超过 30 分钟, 供操作人员在紧急情况下抢救和逃生。

APPLICATION: Mainly used for seawater delivery in fire fighting system on offshore platform, also can be used for delivery of gasoline, diesel oil, fuel oil with aromatic content up to 50%, mud, air for other general purposes. It can be directly exposed to flame for more than 30min at the temperature of 800°C, which enable operators to rescue escape under emergencies.

温度 TEMPERATURE: -30°C ~ +100°C (-22°F ~ +212°F)

结构 CONSTRUCTION: **内层:** 黑色耐油、耐海水、耐高温、耐酸碱合成橡胶
Tube: Black oil, seawater, high temperature, acid-alkali resistant synthetic rubber

增强层: 高强度钢丝帘线和导电铜丝, 6"和6" 以上增加螺旋钢丝

Reinforcement: High tension steel cord, antistatic copper wire, steel helix wire for hose size 6" and above.

外层: 红色耐火、耐磨、耐油、耐天候合成橡胶

Cover: Red fire resistant, abrasion, oil and weather resistant synthetic rubber

QINGFLEX FIRE-RATED SEAWATER HOSE IO341-**DN-- (* ") -30°C TO +100°C W.P. 20 BAR
-22°F TO +212°F W.P. 300 PSI

油 OIL

输油管 OIL DELIVERY HOSE 重型输油管 HEAVY DUTY OIL DELIVERY HOSE



胶管型号 Hose Part No.	内径 I.D.		外径 O.D.	工作压力 W.P.		爆破压力 B.P.		最小弯曲半径 Min.B.R.		重量 Weight
标准管 Standard	inch	mm	mm	Bar	Psi	Bar	Psi	inch	mm	kg/m
IO301-16	1"	25	35	10	150	30	450	10.00	254	0.57
IO301-20	1-1/4"	32	42	10	150	30	450	12.60	320	0.71
IO301-24	1-1/2"	38	48	10	150	30	450	14.96	380	0.86
IO301-28	1-3/4"	45	55	10	150	30	450	17.52	445	1.06
IO301-32	2"	51	62	10	150	30	450	20.08	510	1.27
IO301-40	2-1/2"	63	75	10	150	30	450	25.00	635	1.63
IO301-48	3"	76	88	10	150	30	450	30.00	762	1.98
IO301-56	3-1/2"	90	104	10	150	30	450	35.43	900	2.72
IO301-64	4"	102	116	10	150	30	450	40.00	1016	3.19
IO301-80	5"	127	143	10	150	30	450	50.00	1270	4.46
IO301-96	6"	152	168	10	150	30	450	60.00	1524	5.25

胶管型号 Hose Part No.	内径 I.D.		外径 O.D.	工作压力 W.P.		爆破压力 B.P.		最小弯曲半径 Min.B.R.		重量 Weight
标准管 Standard	inch	mm	mm	Bar	Psi	Bar	Psi	inch	mm	kg/m
IO302-16	1"	25	36	20	300	60	900	10.00	254	0.65
IO302-20	1-1/4"	32	43.5	20	300	60	900	12.60	320	0.85
IO302-24	1-1/2"	38	50	20	300	60	900	14.96	380	0.96
IO302-28	1-3/4"	45	58.5	20	300	60	900	17.52	445	1.51
IO302-32	2"	51	63.5	20	300	60	900	20.00	508	1.39
IO302-40	2-1/2"	63	78	20	300	60	900	25.00	635	1.95
IO302-48	3"	76	92	20	300	60	900	30.00	762	2.52
IO302-56	3-1/2"	90	104.5	20	300	60	900	35.43	900	2.95
IO302-64	4"	102	117	20	300	60	900	40.00	1016	3.35
IO302-80	5"	127	144	20	300	60	900	51.84	1270	4.55
IO302-96	6"	152	171	20	300	60	900	62.20	1524	5.96

应用范围: 用于输送汽油、柴油、芳烃含量达到 50% 的燃料油、海水、淡水、泥浆、空气和一般用途

APPLICATION: For delivery of gasoline, diesel, fuel oil with an aromatic content of up to 50%, sea water, fresh water, mud, air and general purposes

温度 TEMPERATURE: -35°C ~ +70°C (-31°F ~ +158°F)

结构 CONSTRUCTION: **内层:** 黑色耐油合成橡胶
Tube: Black oil resistant synthetic rubber

增强层: 纤维增强层

Reinforcement: Fiber reinforced layer

外层: 黑色布面耐候耐臭氧耐磨合成橡胶

Cover: Black wrapped weather and ozone resistant synthetic rubber

QINGFLEX OIL DISCHARGE HOSE IO301-** DN** (**") -35 TO 70°C W.P. 10 BAR
-31 TO 158°F W.P. 145 PSI

QINGFLEX OIL DISCHARGE HOSE HEAVY DUTY IO302-** DN** (**") -35 TO 70°C W.P. 20 BAR
-31 TO 158°F W.P. 300 PSI

油 OIL

吸排油管

OIL SUCTION & DISCHARGE HOSE

重型吸排油管

HEAVY DUTY OIL SUCTION & DISCHARGE HOSE



胶管型号 Hose Part No.	内径 I.D.		外径 O.D.	工作压力 W.P.		爆破压力 B.P.		最小弯曲半径 Min.B.R.		重量 Weight
标准管 Standard	inch	mm	mm	Bar	Psi	Bar	Psi	inch	mm	kg/m
IO311-16	1"	25	36	10	145	30	435	2.95	75	0.70
IO311-20	1-1/4"	32	43	10	145	30	435	3.35	85	0.91
IO311-24	1-1/2"	38	49	10	145	30	435	4.33	110	1.15
IO311-28	1-3/4"	45	57	10	145	30	435	5.91	150	1.36
IO311-32	2"	51	63	10	145	30	435	6.69	170	1.64
IO311-40	2-1/2"	63	76.5	10	145	30	435	8.27	210	2.13
IO311-48	3"	76	89	10	145	30	435	9.06	230	2.76
IO311-56	3-1/2"	90	105	10	145	30	435	11.81	300	3.60
IO311-64	4"	102	116	10	145	30	435	15.75	400	4.03
IO311-80	5"	127	145	10	145	30	435	21.65	550	6.21
IO311-96	6"	152	171	10	145	30	435	26.57	675	7.75

胶管型号 Hose Part No.	内径 I.D.		外径 O.D.	工作压力 W.P.		爆破压力 B.P.		最小弯曲半径 Min.B.R.		重量 Weight
标准管 Standard	inch	mm	mm	Bar	Psi	Bar	Psi	inch	mm	kg/m
IO312-16	1"	25	36	20	300	60	900	3.35	85	0.77
IO312-20	1-1/4"	32	44	20	300	60	900	3.94	100	1.04
IO312-24	1-1/2"	38	50	20	300	60	900	4.92	125	1.26
IO312-28	1-3/4"	45	58	20	300	60	900	6.89	175	1.62
IO312-32	2"	51	64	20	300	60	900	7.87	200	1.78
IO312-40	2-1/2"	63	77	20	300	60	900	9.84	250	2.23
IO312-48	3"	76	92	20	300	60	900	11.81	300	3.25
IO312-56	3-1/2"	90	105	20	300	60	900	13.39	340	3.81
IO312-64	4"	102	120	20	300	60	900	17.32	440	3.95
IO312-80	5"	127	146	20	300	60	900	22.83	580	6.93
IO312-96	6"	152	172	20	300	60	900	27.56	700	9.20

应用范围: 用于输送和抽吸汽油、柴油、芳烃含量达到 50% 的燃料油、海水、淡水、泥浆、空气和一般用途
APPLICATION: For delivery and suction of gasoline, diesel, fuel oil with an aromatic content of up to 50%, sea water, fresh water, mud, air and general purposes.

温度 TEMPERATURE: -35°C ~ +70°C (-31°F ~ +158°F)

结构 CONSTRUCTION: **内层:** 耐油合成橡胶
Tube: Natural and synthetic rubber

增强层: 纤维增强层和螺旋钢丝
Reinforcement: high tensile textile synthetic yarn and steel helix wire

外层: 黑色布面耐油耐候耐臭氧耐磨合成橡胶
Cover: Oil resistant, weather and ozone resistant synthetic rubber

QINGFLEX OIL SUCTION & DISCHARGE HOSE IO311-** DN** (***) -35 TO 70°C W.P. 10 BAR
 -31 TO 158°F W.P. 145 PSI

QINGFLEX OIL SUCTION & DISCHARGE HOSE HEAVY DUTY IO312-** DN** (***) -35 TO 70°C W.P. 20 BAR
 -31 TO 158°F W.P. 300 PSI

油 OIL

多功能油管

MULTIPURPOSE OIL HOSE



胶管型号 Hose Part No.	内径 I.D.		外径 O.D.	工作压力 W.P.		爆破压力 B.P.		最小弯曲半径 Min.B.R.		重量 Weight
标准管 Standard	inch	mm	mm	Bar	Psi	Bar	Psi	inch	mm	kg/m
IO332-04	1/4"	6	13	20	300	60	900	1.69	43	0.12
IO332-05	5/16"	8	15	20	300	60	900	2.09	53	0.15
IO332-06	3/8"	10	18	20	300	60	900	2.52	64	0.21
IO332-08	1/2"	13	22	20	300	60	900	3.31	84	0.29
IO332-10	5/8"	16	25	20	300	60	900	4.21	107	0.34
IO332-12	3/4"	19	29	20	300	60	900	5.00	127	0.44
IO332-16	1"	25	37	20	300	60	900	6.69	170	0.69

应用范围: 用于输送油、空气、冷水、热水和非腐蚀性化学品
APPLICATION: For delivery of oil, air, cold or hot water and non-corrosive chemicals

温度 TEMPERATURE: -40°C ~ +120°C (-40°F ~ +248°F)

结构 CONSTRUCTION: **内层:** EPDM
Tube: EPDM
增强层: 高强度纤维编织
Reinforcement: High tensile synthetic textile braid

外层: 黑色或彩色光面耐磨耐热耐候耐臭氧合成橡胶
Cover: Black or color abrasion, heat, weather and ozone resistant smooth synthetic rubber

QINGFLEX MULTIPURPOSE OIL HOSE IO332-** DN** (***) -40 TO 120°C W.P. 20 BAR
 -40 TO 248°F W.P. 290 PSI

油 OIL

防火输油软管 FIRE-RATED OIL HOSE



胶管型号 Hose Part No.	内径 I.D.	外径 O.D.	工作压力 W.P.		爆破压力 B.P.		最小弯曲半径 Min.B.R.		重量 Weight	
标准管 Standard	inch	mm	Bar	Psi	Bar	Psi	inch	mm	kg/m	
IO341-96	6"	152	190	10	150	40	600	35.43	900	13
IO341-128	8"	203	244	10	150	40	600	51.18	1300	23
IO341-160	10"	254	352	10	150	40	600	59.01	1500	28
IO341-192	12"	305	357	10	150	40	600	66.93	1700	34
IO341-224	14"	355	411	10	150	40	600	86.61	2200	43
IO341-256	16"	405	461	10	150	40	600	98.43	2500	48

应用范围: 用于输送汽油、柴油、芳烃含量达到50%的燃料油、海水、淡水、泥浆、空气，和一般用途。软管工作时可直接暴露在800°C火焰里超过30分钟。

APPLICATION: For delivery of gasoline, diesel oil, fuel oil with aromatic content up to 50%, also can be applied for seawater, fresh water, mud, air and other general purposes. It can be directly exposed to flame for more than 30min at the temperature of 800°C.

温度 TEMPERATURE: -30°C ~ +100°C (-22°F ~ +212°F)

结构 CONSTRUCTION: **内层:** 黑色耐油、耐海水、耐高温、耐酸碱合成橡胶
Tube: Black oil, seawater, high temperature, acid-alkali resistant synthetic rubber

增强层: 高强度合成纤维、导电铜丝和螺旋钢丝
Reinforcement: High tension textile synthetic yarn, antistatic copper wire and steel helix wire

外层: 红色耐火、耐磨、耐油、耐天候合成橡胶
Cover: Red fire resistant, abrasion, oil and weather resistant synthetic rubber

QINGFLEX FIRE-RATED OIL HOSE IO341-** DN** (***) -30°C TO +100°C W.P. 10 BAR
-22°F TO +212°F W.P. 150 PSI

化学 CHEMICAL

酸碱化学输送管 ACID-SOLVENT CHEMICAL DELIVERY HOSE



胶管型号 Hose Part No.	内径 I.D.	外径 O.D.	工作压力 W.P.		爆破压力 B.P.		最小弯曲半径 Min.B.R.		重量 Weight	
标准管 Standard	inch	mm	mm	Bar	Psi	Bar	Psi	inch	mm	kg/m
IC502-12	3/4"	19	30	10	150	40	600	7.76	190	0.56
IC502-16	1"	25	36	10	150	40	600	10.37	254	0.66
IC502-20	1-1/4"	32	45	10	150	40	600	13.06	320	1.18
IC502-24	1-1/2"	38	51	10	150	40	600	15.51	380	1.58
IC502-28	1-3/4"	45	59	10	150	40	600	18.16	445	1.75
IC502-32	2"	51	65	10	150	40	600	20.82	510	2.23
IC502-40	2-1/2"	63	79	10	150	40	600	25.92	635	2.50
IC502-44	2-3/4"	70	86	10	150	40	600	28.57	700	2.70
IC502-48	3"	76	92	10	150	40	600	31.10	762	3.76
IC502-64	4"	102	118	10	150	40	600	41.47	1016	4.21

应用范围: 用于输送浓度达98%的酸和化学品
APPLICATION: For delivery of acids and chemicals up to 98% concentration

温度 TEMPERATURE: -40°C ~ +80°C (-40°F ~ +176°F)

结构 CONSTRUCTION: **内层:** 透明UHMW-PE和合成橡胶
Tube: Chemical resistant black EPDM rubber

增强层: 纤维增强层
Reinforcement: High tensile textile synthetic yarn

外层: 耐候耐臭氧耐磨EPDM合成橡胶
Cover: Abrasion resistant, weather and ozone resistant EPDM synthetic rubber

QINGFLEX ACID-SOLVENT CHEMICAL DELIVERY HOSE IC502-** DN** (***) -40 TO 80°C W.P. 5 BAR
-40 TO 176°F W.P. 73 PSI

化学 CHEMICAL

酸碱化学吸排管

ACID-SOLVENT CHEMICAL SUCTION & DISCHARGE HOSE



胶管型号 Hose Part No.	内径 I.D.		外径 O.D.	工作压力 W.P.		爆破压力 B.P.		最小弯曲半径 Min.B.R.		重量 Weight
标准管 Standard	inch	mm	mm	Bar	Psi	Bar	Psi	inch	mm	kg/m
IC513-12	3/4"	19	31	10	150	40	600	3.27	80	0.69
IC513-16	1"	25	37	10	150	40	600	4.49	110	0.81
IC513-20	1-1/4"	32	45	10	150	40	600	6.73	165	1.12
IC513-24	1-1/2"	38	52	10	150	40	600	9.18	225	1.49
IC513-28	1-3/4"	45	59	10	150	40	600	11.63	285	1.81
IC513-32	2"	51	67	10	150	40	600	14.29	350	2.27
IC513-40	2-1/2"	63	80	10	150	40	600	18.37	450	2.77
IC513-44	2-3/4"	70	87	10	150	40	600	22.45	550	3.17
IC513-48	3"	76	93	10	150	40	600	32.65	800	3.31
IC513-64	4"	102	120	10	150	40	600	48.98	1200	4.88

应用范围: 用于输送和抽吸浓度达 98% 的酸和化学品
APPLICATION: For delivery and suction of acids and chemicals up to 98% concentration

温度 TEMPERATURE: -40°C ~ +80°C (-40°F ~ +176°F)

结构 CONSTRUCTION: **内层:** 透明UHMW-PE和合成橡胶
Tube: Chemical resistant black EPDM rubber

增强层: 纤维增强层和螺旋钢丝
Reinforcement: High tensile textile synthetic yarn and steel helix wire

外层: 耐候耐臭氧耐磨EPDM合成橡胶
Cover: Abrasion resistant, weather and ozone resistant EPDM synthetic rubber

物料 MATERIAL

混凝土管

CEMENT DELIVERY HOSE



胶管型号 Hose Part No.	内径 I.D.		外径 O.D.	工作压力 W.P.		爆破压力 B.P.		最小弯曲半径 Min.B.R.		重量 Weight
标准管 Standard	inch	mm	mm	Bar	Psi	Bar	Psi	inch	mm	kg/m
IM401-16	1"	25	37	10	150	30	450	6.12	150	0.62
IM401-20	1-1/4"	32	44	10	150	30	450	7.76	190	0.81
IM401-24	1-1/2"	38	50	10	150	30	450	9.80	240	0.94
IM401-28	1-3/4"	45	58	10	150	30	450	12.24	300	1.27
IM401-32	2"	51	64.5	10	150	30	450	14.29	350	1.42
IM401-40	2-1/2"	63	77	10	150	30	450	17.96	440	1.73
IM401-48	3"	76	90	10	150	30	450	20.41	500	2.09
IM401-56	3-1/2"	90	104	10	150	30	450	24.49	600	2.56
IM401-64	4"	102	118	10	150	30	450	30.61	750	3.25
IM401-80	5"	127	146	10	150	30	450	36.73	900	4.84
IM401-96	6"	152	172	10	150	30	450	48.98	1200	6.00

应用范围: 用于低压输送水泥等物料
APPLICATION: For delivery of cement and other materials in low-pressure

温度 TEMPERATURE: -40°C ~ +70°C (-40°F ~ +158°F)

结构 CONSTRUCTION: **内层:** 耐磨天然胶
Tube: Abrasion resistant natural rubber

增强层: 纤维增强层
Reinforcement: High tensile textile synthetic yarn

外层: 黑色布面耐候耐臭氧耐磨刺孔合成橡胶
Cover: Abrasion resistant, weather and ozone resistant pin-pricked synthetic rubber

物料 MATERIAL

重型混凝土吸排管

HEAVY DUTY CEMENT SUCTION & DISCHARGE HOSE



胶管型号 Hose Part No.	内径 I.D.		外径 O.D.	工作压力 W.P.		爆破压力 B.P.		最小弯曲半径 Min.B.R.		重量 Weight
标准管 Standard	inch	mm	mm	Bar	Psi	Bar	Psi	inch	mm	kg/m
IM412-16	1"	25	39	10	150	30	450	3.54	90	0.88
IM412-20	1-1/4"	32	45	10	150	30	450	4.33	110	1.04
IM412-24	1-1/2"	38	52	10	150	30	450	5.51	140	1.39
IM412-32	2"	51	66	10	150	30	450	9.45	240	1.97
IM412-40	2-1/2"	63	78.5	10	150	30	450	11.22	285	2.31
IM412-48	3"	76	92	10	150	30	450	12.80	325	3.11
IM412-56	3-1/2"	90	107	10	150	30	450	16.93	430	3.76
IM412-64	4"	102	120	10	150	30	450	18.90	480	4.55
IM412-80	5"	127	149	10	150	30	450	24.61	625	6.69
IM412-96	6"	152	174.5	10	150	30	450	30.71	780	8.80

应用范围: 用于输送和抽吸水泥等物料
APPLICATION: For delivery and suction of cement and other materials in low-pressure

温度 TEMPERATURE: -40°C ~ +70°C (-40°F ~ +158°F)

结构 CONSTRUCTION: **内层:** 耐磨天然胶
Tube: Abrasion resistant natural rubber

增强层: 纤维增强层和螺旋钢丝

Reinforcement: High tensile textile synthetic yarn and steel helix wire

外层: 黑色布面耐候耐臭氧耐磨刺孔合成橡胶

Cover: Abrasion resistant, weather and ozone resistant pin-pricked synthetic rubber

物料 MATERIAL

物料吸排管

BULK MATERIAL SUCTION & DISCHARGE HOSE



胶管型号 Hose Part No.	内径 I.D.		外径 O.D.	工作压力 W.P.		爆破压力 B.P.		最小弯曲半径 Min.B.R.		重量 Weight
标准管 Standard	inch	mm	mm	Bar	Psi	Bar	Psi	inch	mm	kg/m
IM451-32	2"	51	68	20	300	60	900	6.69	170	1.64
IM451-48	3"	76	98	20	300	60	900	14.96	380	3.05
IM451-64	4"	102	125	20	300	60	900	19.69	500	4.85
IM451-80	5"	127	151	20	300	60	900	25.59	650	6.34
IM451-96	6"	152	183	20	300	60	900	33.46	850	9.39

应用范围: 用于输送和抽吸重晶石、干粉水泥等磨蚀性物料
APPLICATION: For delivery and suction of abrasive materials such as barite, dry powder cement, etc

温度 TEMPERATURE: -20°C ~ +85°C (-4°F ~ +185°F)

结构 CONSTRUCTION: **内层:** 黑色合成橡胶
Tube: Black and smooth synthetic rubber

增强层: 纤维增强层和螺旋钢丝

Reinforcement: High tensile textile synthetic yarn and steel helix wire

外层: 黑色布面耐候耐臭氧耐磨合成橡胶

Cover: Abrasion resistant, weather and ozone resistant synthetic rubber

专用管 SPECIAL USE

液态低温二氧化碳管 LIQUID CO2 HOSE



胶管型号 Hose Part No.	内径 I.D.		外径 O.D.	工作压力 W.P.		爆破压力 B.P.		重量 Weight
标准管 Standard	inch	mm	mm	Bar	Psi	Bar	Psi	kg/m
IS701-64	4"	102	124	40	600	120	1800	4.80
IS701-128	8"	203	203.2	40	600	120	1800	16.20

应用范围: 用于输送液态二氧化碳等低温材料
APPLICATION: For delivery of liquid carbon dioxide and other low-temperature materials

温度 TEMPERATURE: -56°C~+100°C (-68.8°F ~ +212°F)

结构 CONSTRUCTION: **内层:** UHMW及合成橡胶
Tube: UHMW and synthetic rubber
增强层: 高强度钢丝绳
Reinforcement: High strength steel cable

外层: 耐磨、耐候合成橡胶
Cover: Abrasion and weather resistant synthetic rubber

液压软管 HYDRAULIC HOSE

液压软管 HYDRAULIC HOSE



SAE标准代号 SAE standard code	内径 I.D.		外径 O.D.	工作压力 W.P.	爆破压力 B.P.	最小弯曲半径 Min.B.R.	工作温度 W.T.	重量 Weight
	inch	mm	mm	bar	bar	mm	°C	kg/m
1SN	1/4	6.3	14	225	900	100	-40 to +100	0.22
1SN	5/16	8	15	215	860	115	-40 to +100	0.26
1SN	3/8	10	18	180	720	130	-40 to +100	0.35
1SN	1/2	12.5	21	160	640	180	-40 to +100	0.43
1SN	5/8	16	24	130	520	200	-40 to +100	0.51
1SN	3/4	19	28	105	420	240	-40 to +100	0.64
1SN	1	25	36	87	348	300	-40 to +100	0.93
1SN	1-1/4	32	43	62	248	420	-40 to +100	1.23
1SN	1-1/2	38	50	50	200	500	-40 to +100	1.47
1SN	2	51	63	40	16	630	-40 to +100	1.86
2SN	1/4	6.3	15	400	1600	100	-40 to +100	0.34
2SN	5/16	8	17	350	1400	115	-40 to +100	0.41
2SN	3/8	10	19	330	1320	130	-40 to +100	0.55
2SN	1/2	12.5	23	275	1100	180	-40 to +100	0.66
2SN	5/8	16	26	250	1000	200	-40 to +100	0.76
2SN	3/4	19	30	215	860	240	-40 to +100	0.95
2SN	1	25	38	165	660	300	-40 to +100	1.4
2SN	1-1/4	32	47	125	500	420	-40 to +100	1.96
2SN	1-1/2	38	53.5	90	360	500	-40 to +100	2.18
2SN	2	51	66	80	320	630	-40 to +100	2.71
4SP	3/8	10	21	445	1780	180	-40 to +100	0.76
4SP	1/2	12.5	24	415	1660	230	-40 to +100	0.88
4SP	5/8	16	28	350	1400	250	-40 to +100	1.1
4SP	3/4	19	32	350	1400	300	-40 to +100	1.47
4SP	1	25	39	280	1120	340	-40 to +100	1.98
4SP	1-1/4	32	50	210	840	460	-40 to +100	2.55
4SP	1-1/2	38	56	185	740	560	-40 to +100	3.26
4SP	2	51	69	165	660	660	-40 to +100	4.92
R13	3/4	19	32	350	1400	240	-40 to +100	1.65
R13	1	25	39	350	1400	300	-40 to +100	2.25
R13	1-1/4	32	50	350	1400	420	-40 to +100	3.6
R13	1-1/2	38	58	350	1400	500	-40 to +100	4.75
R13	2	51	71	350	1400	640	-40 to +100	6.9
R15	3/4	19	35.5	420	1680	265	-40 to +100	1.85
R15	1	25	42	420	1680	330	-40 to +100	2.9
R15	1-1/4	32	50	420	1680	445	-40 to +100	4.2
R15	1-1/2	38	58	420	1680	530	-40 to +100	5.6

应用范围: 用于液压传动, 输送高压液体。适于输送液压液体如乙醇、液压油、矿物油、燃料油、润滑油、乳化液、水基乙二醇、高压蒸汽等。

APPLICATION: For delivery of liquid carbon dioxide and other low-temperature materials

温度 TEMPERATURE: -40°C~+100°C (-40°F ~ +212°F)

END CONNECTOR

端部连接



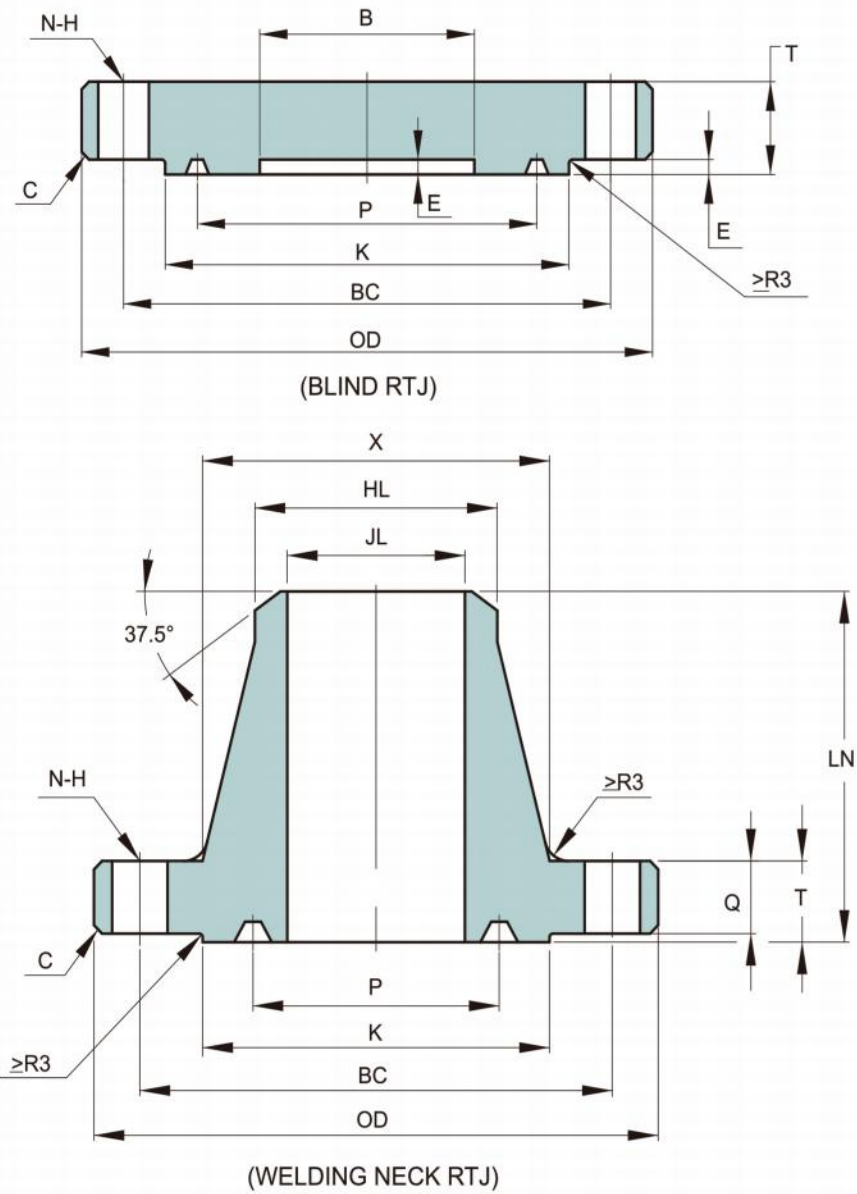
法兰 API 6A Flanges



- API 6A - 6B 13.8 MPA (2000 PSI)
- API 6A - 6B 20.7 MPA (3000 PSI)
- API 6A - 6B 34.5 MPA (5000 PSI)
- API 6A - 6BX 13.8 MPA (2000 PSI)
- API 6A - 6BX 20.7 MPA (3000 PSI)
- API 6A - 6BX 34.5 MPA (5000 PSI)
- API 6A - 6BX 69.0 MPA (10000 PSI)
- API 6A - 6BX 103.5 MPA (15000 PSI)
- API 6A - 6BX 138.0 MPA (20000 PSI)

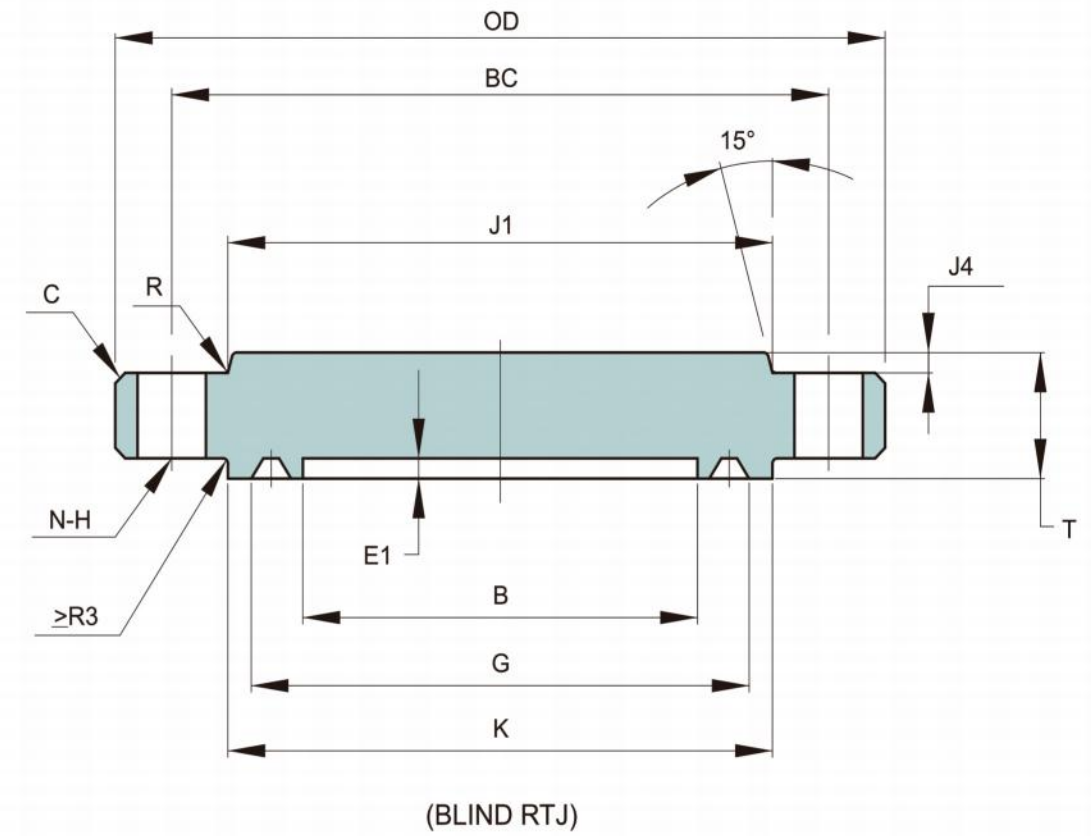
公差和环形垫片符合 API 6A - 20TH 标准。
Tolerance and ring gasket according to API 6A - 20TH.

API 6A - 6B 13.8 MPA (2000 PSI)



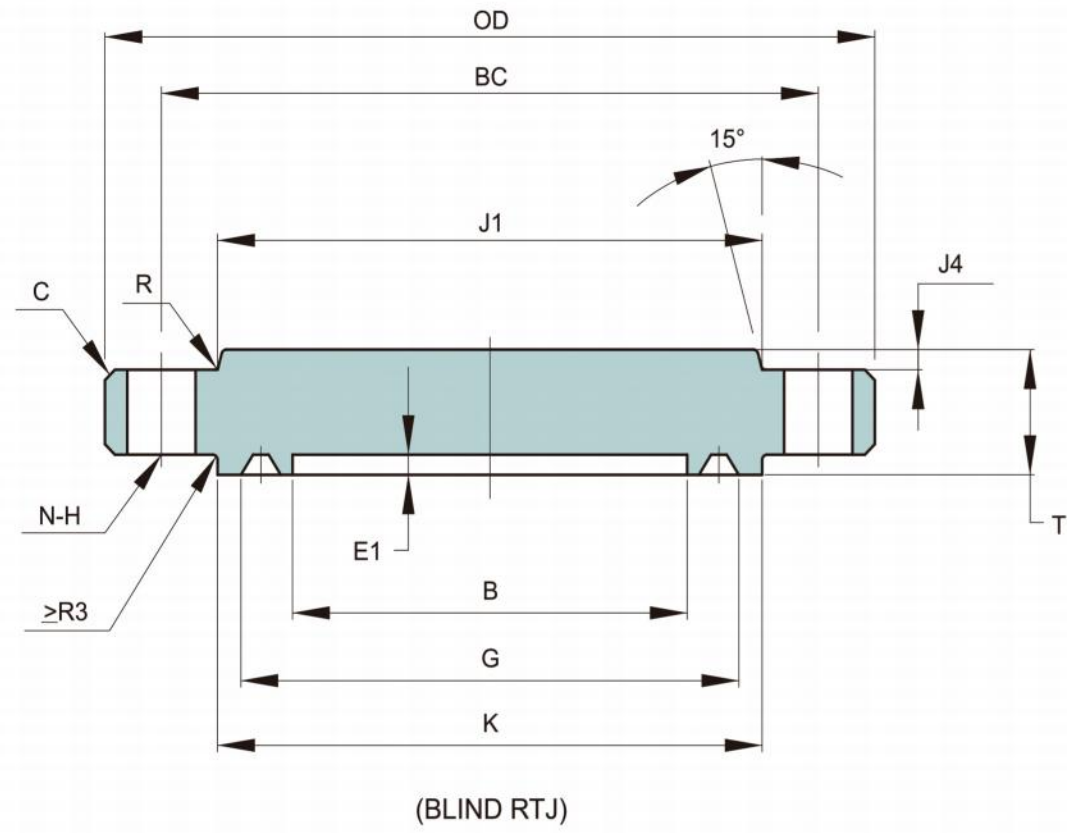
Size	B	OD	C MAX.	K	P	E	T	Q	X	BC	N	H	LN	HL	JL	Ring No. R or RX
2 1/16 "	53.2	165	3	108	82.55	7.9	33.4	25.4	84	127.0	8	20	81	60.3	53.3	33.4
2 9/16 "	65.9	190	3	127	101.6	7.9	36.6	28.6	100	149.2	8	23	88	73.0	63.5	36.6
3 1/8 "	81.8	210	3	146	123.83	7.9	39.7	31.8	117	168.3	8	23	91	88.9	78.7	39.7
4 1/16 "	108.7	275	3	175	149.23	7.9	46.1	38.1	152	215.9	8	26	110	114.3	103.1	46.1
5 1/8 "	131	330	3	210	180.98	7.9	52.4	44.5	189	266.7	8	29	122	141.3	122.9	52.4
7 1/16 "	181.8	355	6	241	211.15	7.9	55.6	47.6	222	292.1	12	29	126	168.3	147.1	55.6
11 "	280.2	510	6	356	323.85	7.9	71.5	63.5	343	431.8	16	35	160	273.0	248.4	71.5
13 5/8 "	346.9	560	6	413	381	7.9	74.7	66.7	400	489.0	20	35	-	-	-	74.7
16 3/4 "	426.2	685	6	508	469.9	7.9	84.2	76.2	495	603.2	20	42	-	-	-	84.2
21 1/4 "	540.5	815	6	635	584.2	9.7	98.5	88.9	610	723.9	24	45	-	-	-	98.5

API 6A - 6BX 13.8 MPA (2000 PSI)



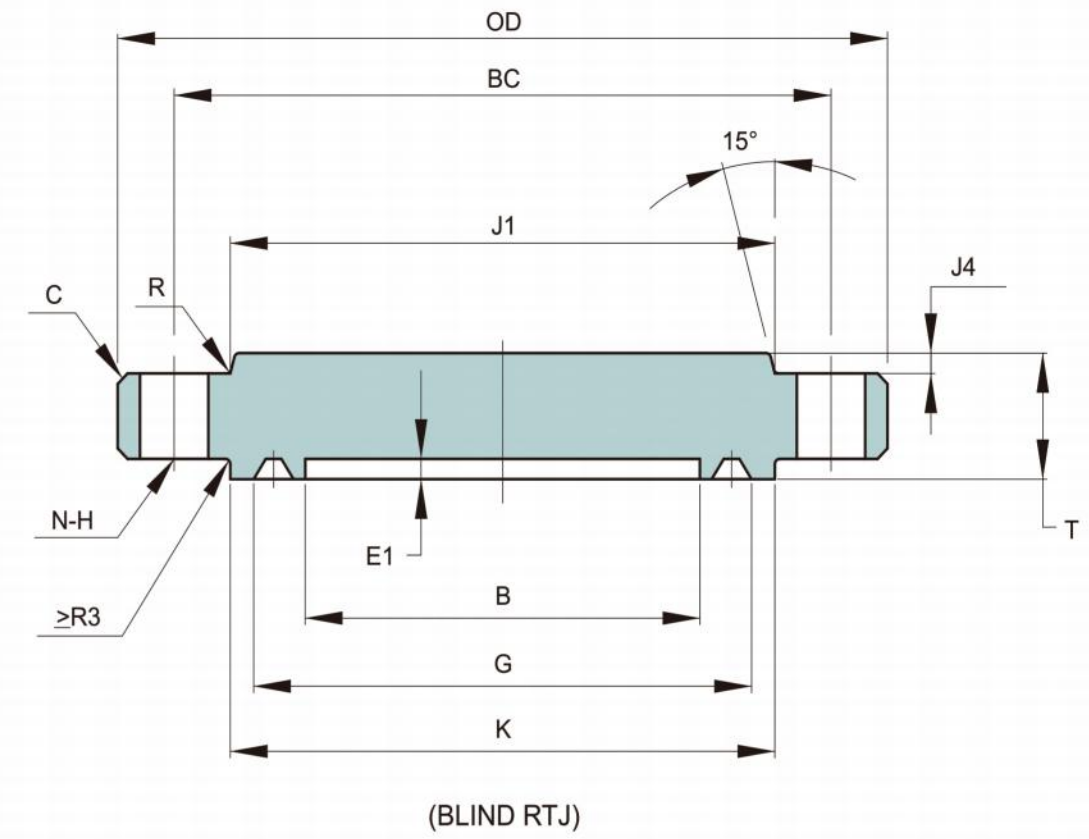
Size	OD	C	E1	G	K	T	J1	J4	R	BC	N	H	Ring No. BX
26 3/4 "	1040	6	21.4	768.33	805	126.3	835.8	9.7	16	952.5	20	48	167
30 "	1120	6	23	862.3	908	134.2	931.9	17.5	16	1039.80	32	45	303

API 6A - 6BX 20.7 MPA (3000 PSI)



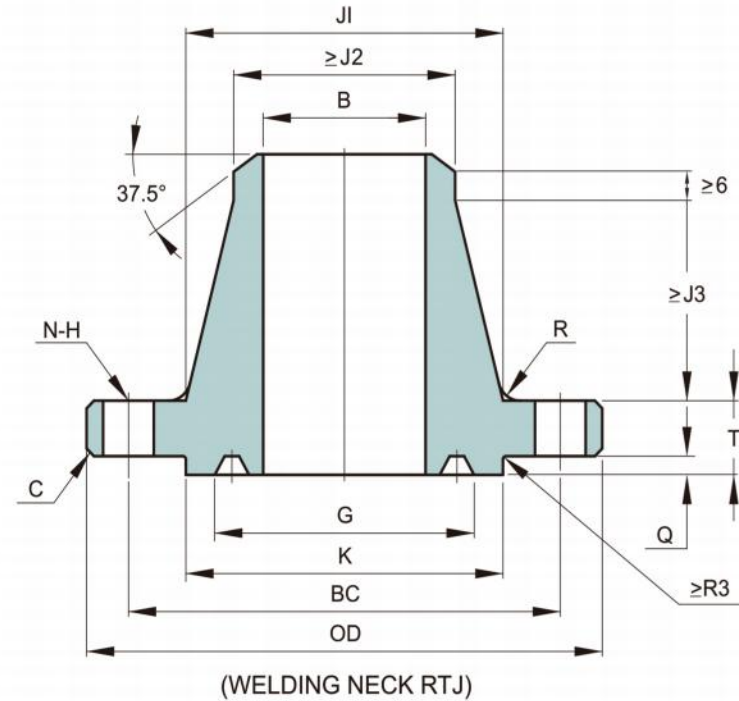
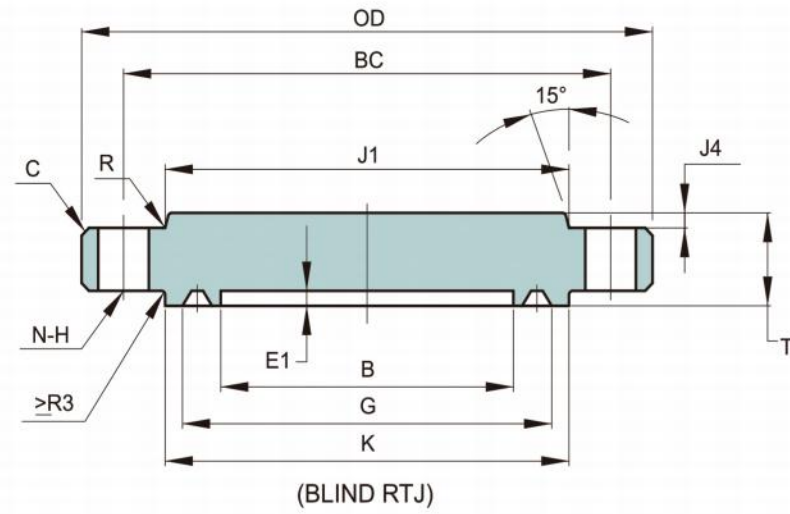
Size	OD	C	E1	G	K	T	J1	J4	R	BC	N	H	Ring No. BX
26 3/4 "	1100	6	21.4	774.22	832	161.2	870	0	16	1000.10	24	54	168
30 "	1185	6	23	862.30	922	167.1	970	12.7	16	1090.60	32	51	303

API 6A - 6BX 34.5 MPA (5000 PSI)



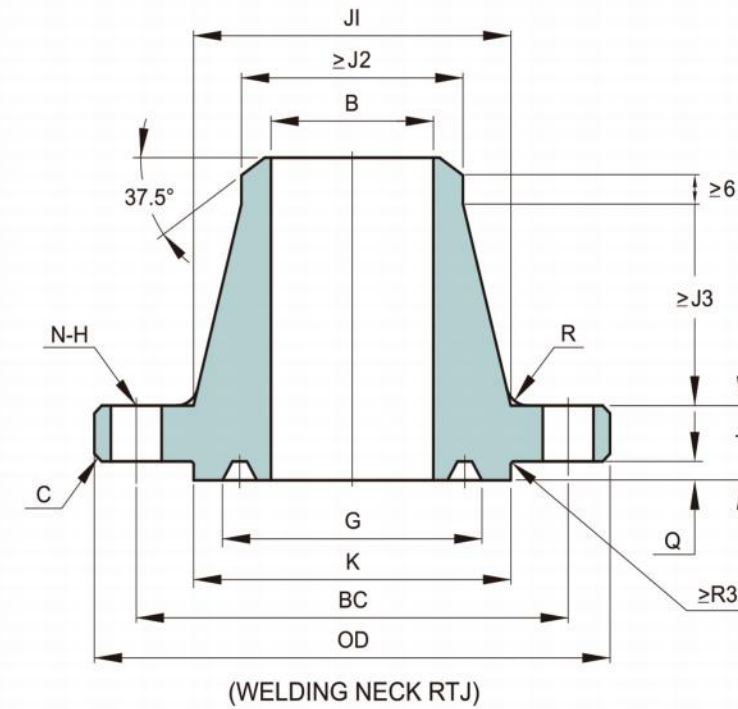
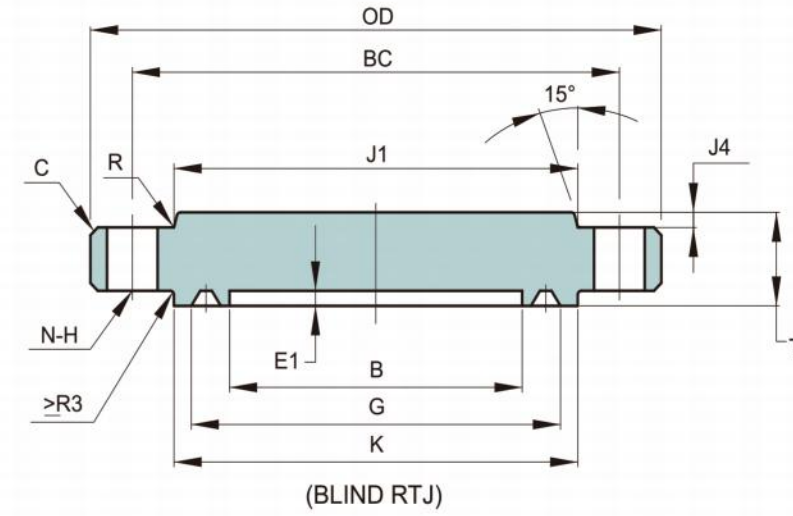
Size	OD	C	E1	G	K	T	J1	J4	R	BC	N	H	Ring No. BX
13 5/8 "	675	6	14.3	408.00	457	112.8	481.0	23.9	16	590.60	16	45	160
16 3/4 "	770	6	8.3	478.33	535	130.2	555.6	17.5	19	676.30	16	51	162
18 3/4 "	905	6	18.3	563.50	627	165.9	674.7	19.1	16	803.30	20	54	163
21 1/4 "	990	6	19.1	632.56	702	181.0	758.8	22.4	18	885.80	24	54	165

API 6A - 6BX 69.0 MPA (10000 PSI)



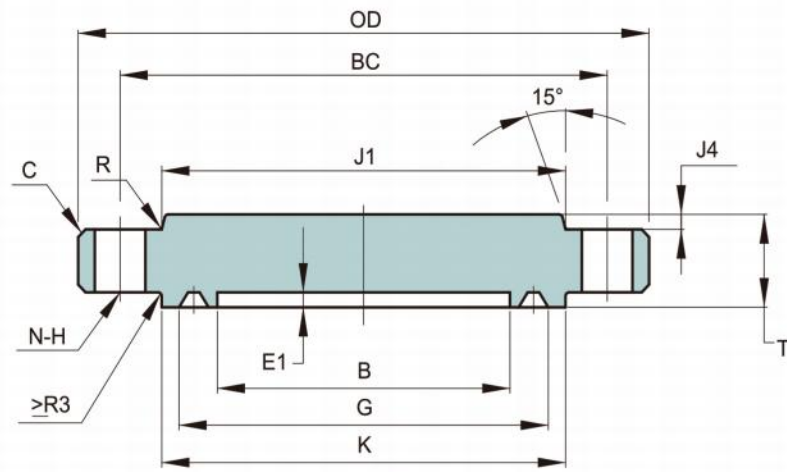
Size	B	OD	C	E1	Q MAX.	G	K	T	J1	J2	J3	J4	R	BC	N	H	Ring No. BX
1 13/16 "	46.8	185	3	-	5.56	77.77	105	42.1	88.9	65.1	48.5	-	10	146.10	8	23	151
2 1/16 "	53.2	200	3	-	5.95	86.23	111	44.1	100.0	74.7	51.6	-	10	158.80	8	23	152
2 9/16 "	65.9	230	3	-	6.75	102.77	132	51.2	120.7	92.1	57.2	-	10	184.20	8	26	153
3 1/16 "	78.6	270	3	-	7.54	119.00	152	58.4	142.1	110.2	63.5	-	10	215.90	8	29	154
4 1/16 "	104.0	315	3	-	8.33	150.62	185	70.3	182.6	146.1	73.1	-	10	258.80	8	32	155
5 1/8 "	131.0	360	3	9.5	9.53	176.66	221	79.4	223.8	182.6	81.0	6.4	10	300.00	12	32	169
7 1/16 "	180.2	480	6	11.1	11.11	241.83	302	103.2	301.6	254.0	95.3	9.7	16	403.20	12	42	156
9 "	229.4	550	6	12.7	12.70	299.06	359	123.9	374.7	327.1	93.7	9.7	16	476.30	16	42	157
11 "	280.2	655	6	14.3	14.29	357.23	429	141.3	450.9	400.1	103.2	14.2	16	565.20	16	48	158
13 5/8 "	346.9	770	6	15.9	15.88	432.64	518	168.3	552.5	495.3	114.3	17.5	16	673.10	20	51	159
16 3/4 "	426.2	870	6	8.3	8.33	478.33	576	168.3	655.6	601.7	76.2	30.2	19	776.3	24	51	162
18 3/4 "	477.0	1040	6	18.3	18.26	577.90	697	223.1	752.5	674.7	156.6	25.4	16	925.50	24	61	164
21 1/4 "	540.5	1145	6	19.1	19.05	647.88	781	241.3	847.7	762.0	165.1	31.8	21	1022.40	24	67	166

API 6A - 6BX 103.5 MPA (15000 PSI)

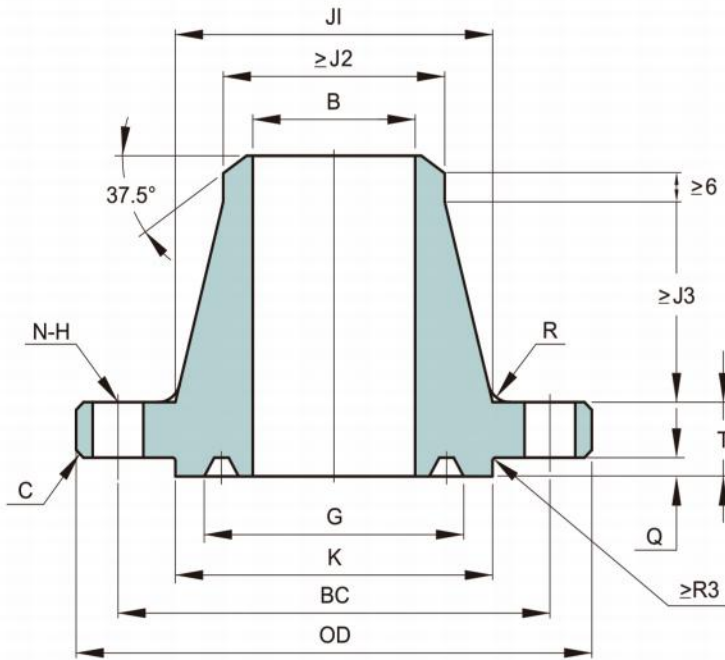


Size	B	OD	C	E1	Q MAX.	G	K	T	J1	J2	J3	J4	R	BC	N	H	Ring No. BX
1 13/16 "	46.8	210	3	-	5.56	77.77	106	45.3	97.6	71.4	47.6	-	10	160.3	8	26	151
2 1/16 "	53.2	220	3	-	5.95	86.23	114	50.8	111.1	82.5	54	-	10	174.6	8	26	152
2 9/16 "	65.9	255	3	-	6.75	102.77	133	57.2	128.6	100	57.1	-	10	200	8	29	153
3 1/16 "	78.6	290	3	-	7.54	119	154	64.3	154	122.2	63.5	-	10	230.2	8	32	154
4 1/16 "	104.0	360	3	-	8.33	150.62	194	78.6	195.3	158.7	73	-	10	290.5	8	39	155
5 1/8 "	131.0	420	3	9.5	9.53	176.66	225	98.5	244.5	200	81.8	6.4	16	342.9	12	42	169
7 1/16 "	180.2	505	3	11.1	11.11	241.83	305	119.1	325.4	276.2	92.1	7.9	16	428.6	16	42	156
9 "	229.4	650	6	12.7	12.70	299.06	381	146.1	431.8	349.2	123.8	14.2	16	552.40	16	51	157
11 "	280.2	815	6	14.3	14.29	357.23	454	187.4	584.2	427.0	235.7	12.7	16	711.20	20	54	158
13 5/8 "	346.9	885	6	15.9	15.88	432.64	541	204.8	595.3	528.6	114.3	17.5	25	771.50	20	61	159
18 3/4 "	477.0	1160	6	18.3	18.26	577.90	722	255.6	812.8	730.2	155.6	35.1	25	1016.00	20	80	164

API 6A - 6BX 138.0 MPA (20000 PSI)



(BLIND RTJ)



(WELDING NECK RTJ)

Size	B	OD	C	E1	Q MAX.	G	K	T	J1	J2	J3	J4	R	BC	N	H	Ring No. BX
1 13/16"	46.8	255	3	-	5.56	77.77	117	63.5	133.4	109.5	49.2	-	10	203.2	8	29	151
2 1/16"	53.2	285	3	-	5.95	86.23	132	71.5	154.0	127.0	52.4	-	10	230.2	8	32	152
2 9/16"	65.9	325	3	-	6.75	102.77	151	79.4	173.0	144.5	58.7	-	10	261.9	8	35	153
3 1/16"	78.6	355	3	-	7.54	119	171	85.8	192.1	160.3	63.5	-	10	287.3	8	39	154
4 1/16"	104	445	3	-	8.33	150.62	219	106.4	242.9	206.4	73.0	-	10	357.2	8	48	155
7 1/16"	180.2	655	6	11.1	11.11	241.83	352	165.1	385.8	338.1	96.8	7.9	16	554	16	54	156
9"	229.4	805	6	12.7	12.7	299.06	441	204.8	481.0	428.6	107.9	6.4	25	685.8	16	67	157
11"	280.2	885	6	14.3	14.29	357.23	505	223.9	566.7	508.0	103.2	12.7	25	749.3	16	74	158
13 5/8"	346.9	1160	6	15.9	15.88	432.64	614	292.1	693.7	628.6	133.3	14.2	25	1016	20	80	159

锤击由壬 Hammer Union

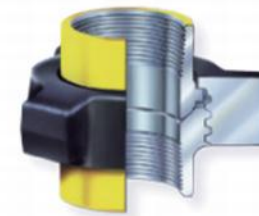
高压由壬引进国际先进技术，采用高强度合金钢锻造而成，严格的热处理确保接头有均匀一致的金相组织和承压能力，所使用材料完全符合美国ASTM和AISI标准，产品技术指标完全符合API标准，产品密封可靠，装卸快捷、通用互换性好。产品接头可用管线螺纹、油管螺纹、对焊式或无压密封端部连接。

注：DIC=可锻铸铁 SC=铸钢 SF=锻钢 AS=合金钢

High pressure union is forged and made of high strength alloy steel with imported world-class technology. Strict heat treatment ensures uniform metallographic structure and bearing capacity in the connector. The materials used fully comply with ASTM and AISI of USA, and the technical indicates of the product with API standard. The product is tight and reliable, and provides easy mounting and dismantling and good exchangeability. The connector of the product allows connection for pipeline thread, oil tube thread and butt weld or pressureless seal end.

Note: DIC = ductile iron casting SC = steel casting SF = steel forging AS = alloy steel

FIG 100



高压由壬引进国际先进技术，采用高强度合金钢锻造而成，严格的热处理确保接头有均匀一致的金相组织和承压能力，所使用材料完全符合美国ASTM和AISI标准，产品技术指标完全符合API Spec 16c标准，产品密封可靠，装卸快捷、通用互换性好。产品接头可用管线螺纹、油管螺纹、对焊式或无压密封端部连接。

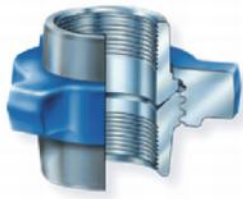
The connecting surface of precise linear seal ensures reliable pressure sealing. Application is recommended for low-pressure manifold and operating pressure at maximum 1,000 psi.

Nominal pipe size		Total length		Nut radius		Materials Part		Weight	
in	mm	in	mm	in	mm	Nut	Part	lbs	kgs
2	50.8	3 6/8	92.1	2 15/18	74.6	SF	SF	5.25	2.4
2 1/2	63.8	4 1/4	108.0	3 6/8	92.1	SF	SF	8.0	3.6
3	76.2	4 15/18	125.4	4 1/8	103.2	SF	SF	14.0	6.4
4	101.6	5 15/18	150.8	4 25/32	121.4	SF	SF	33.0	10.4
6	152.4	6 6/8	168.3	6 7/18	163.5	SF	SF	44.5	20.2
8	203.2	7 1/4	184.2	7 11/18	195.3	SF	SF	61.0	27.7

精密的线性密封结合表面保证了可靠的压力密封，推荐使用低压歧管和工作压力不超过1000Psi场合。

For figure 100, 1000PSI NSCWP, test pressure at 1500PSI with black nut and yellow parts

FIG 200



由壬结构紧凑，广泛用于低压压井管线，也可应用于中等压力范围的空气、水、油或汽应用场合的要求，可用型号采用对焊Sch.40。

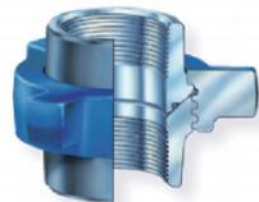
With compact construction, this union is widely used on low-pressure kill line and in application of air, water, oil or steam with medium pressure. Butt weld Sch.40 is desired for the applicable figure.

Nominal pipe size		Total length		Nut radius		Materials Part		Weight	
in	mm	in	mm	in	mm	Nut	Part	lbs	kgs
2	25.4	2 11/18	68.3	1 15/18	49.2	SF/SF	CDB/SF	1.75	0.8
1 1/4	31.7	2 7/8	73	2 3/8	60.3	SF	SF	2.37	1.1
1 1/2	38.1	2 7/8	73	2 3/8	60.3	SF	SF	2.37	1.1
2	50.8	3 5/18	84.1	2 20/32	73.8	SF	SF	2.25	2.4
2 1/2	63.8	4 1/18	103.2	3 11/18	93.7	SF	SF	10	4.5
3	76.2	4 3/8	111.1	3 7/8	98.4	SF	SF	15.25	6.9
4	101.6	4 13/18	122.2	5	127	SF	SF	20	9.1
6	152.4	6 6/8	168.3	6 7/18	163.5	SF	SF	44.5	20.2
		1/4		11/18					

200型2000PSI NSCWP，测试压力3000PSI 蓝色螺母，灰色零件。

For figure 200, 2000PSI NSCWP, test pressure at 3000PSI with blue nut and gray parts

FIG 206



在公接头密封表面装有O型橡胶环以便密封更严密。可用型号采用对焊Sch.40。推荐用于歧管和管道连接，负压使用和腐蚀性使用场合。

O-shape rubber ring is mounted on the seal surface of the male connector for better sealing. Butt weld Sch.40 is desired for the applicable figure.

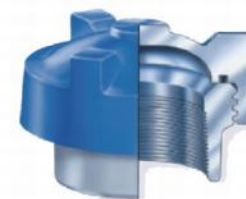
It is recommended for connection of manifold and pipes and for applications with negative pressure and corrosion.

Nominal pipe size		Total length		Nut radius		Materials Part		Weight	
in	mm	in	mm	in	mm	Nut	Part	lbs	kgs
1	25.4	2 11/18	68.3	1 15/18	49.2	SC/SF	SF	1.75	0.8
2 1/2	38.1	2 7/8	73	2 3/8	60.3	SF	SF	2.37	1.1
2	50.8	3 5/18	84.1	2 20/32	73.8	SF	SF	5.25	2.4
2 1/2	63.5	4 1/18	103.2	3 11/18	93.7	SF	SF	10	4.5
3	76.2	4 3/8	111.1	3 7/8	98.4	SF	SF	15.25	6.9
4	101.6	4 13/18	122.2	5	127	SF	SF	20	9.1
6	152.4	6 5/8	168.3	6 7/18	163.5	SF	SF	44.5	20.2
8	203.2	7 1/4	184.2	7 11/18	195.3	SF	SF	61	

206型2000PSI NSCWP，测试压力3000PSI 蓝色螺母，灰色零件。

For figure 206, 2000PSI NSCWP, test pressure at 3000PSI with blue nut and gray parts

FIG 207

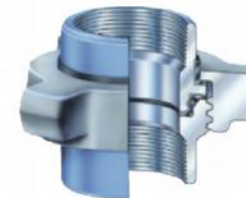


由壬封头帽上装有丁腈橡胶O-型环以进行有效的封闭，螺纹接头可与200和206型螺纹接头进行互换，可用型号采用对焊Sch.40。推荐用于空气、水、油或汽应用场合密封歧管连接和保护管线接头螺纹。

O-shape nitrile-butadiene rubber ring is mounted on the shutoff head of the union for effective sealing. The thread connector is exchangeable with those of Figures 200 and 206. Butt weld Sch.40 is desired for the applicable figure.

Nominal pipe size		Total length		Nut radius		Materials Part		Weight	
in	mm	in	mm	in	mm	Nut	Part	lbs	kgs
3	76.2	3 1/4	95.25	2 7/8	73.03	SC	SF	9.8	4.45
4	101.6	4 5/18	109.54	3 10/32	91.28	SC	SF	16.25	7.37
6	152.4	5 13/18	147.64	4 31/32	126.2	SC	SF	38	17.24

FIG 211



由壬接头的绝缘设计消除了连接中金属对金属的接触，同时复式抗磨损精密制造的合成橡胶提供了有效的密封。可更换环形密封组件以延长由壬的使用寿命。推荐用于存在电解腐蚀问题的应用场合，或需要。

The insulation design of the union connector removes the metal-to-metal contact in connection while the precisely fabricated wear-resistant compound elastomer provides effective sealing. The replaceable O-shape seal assembly prolongs the service life of the union.

It is recommended for application or needs involving electrolytic corrosion.

Nominal pipe size		Total length		Nut radius		Materials Part		Weight	
in	mm	in	mm	in	mm	Nut	Part	lbs	kgs
2	50.8	3 1/2	88.9	3 1/8	79.39	SF	SF	6.25	2.8
3	76.2	4 1/2	114.3	4	101.6	SF	SF	12.5	5.7

211型2000PSI NSCWP，测试压力3000PSI 灰色螺母，浅蓝色零件。

For figure 211, 2000PSI NSCWP, test pressure at 3000PSI with gray nut and light blue parts

FIG 301



精密密封结合面保证了可靠的压力密封，推荐应用于油、水、泥浆、气体或空气应用场合。

Precisely sealed bond surface ensures reliable pressure tightness. It is recommended for application with oil, water, mud, gas or air.

Nominal pipe size		Total length		Nut radius		Materials		Weight	
in	mm	in	mm	in	mm	Nut	Part	lbs	kgs
1	25.4	2 11/18	68.3	1 15/18	49.2	SF/SF	SF	1.75	0.8
2	50.8	3 5/18	84.1	2 20/32	73.8	SF	SF	5.25	2.4

301型3000PSI NSCWP，测试压力4500PSI 黑色螺母，绿色零件。

For figure 301, 3000PSI NSCWP, test pressure at 4500PSI with black nut and green parts

FIG 400



采用壁厚和坚固的设计，具有环形和锥形密封，以便容易进行对中和可靠的密封。

The design of thick wall and robust is used with ring-shape and tapered seal for easy centering and reliable sealing.

Nominal pipe size		Total length		Pipck bore		Nut radius		Materials		Weight	
in	mm	in	mm	in	mm	in	mm	Nut	Part	lbs	kgs
2	50.8	5 3/18	131.8	33/18	90.5	33/18	90.5	SF	SF	11	5
3	76.2	6 1/4	158.8	43/18	106.4	43/18	106.4	SF	SF	19.25	8.7
4	101.6	8 1/8	206.4	5	127	5	127	SF	SF	32	14.5

400型4000PSI NSCWP，测试压力6000PSI 黑色螺母，红色零件。

For figure 400, 4000PSI NSCWP, test pressure at 6000PSI with black nut and red parts

FIG 402



402型 黑色螺母，黑色接头件

只有2英寸一种型号——带丁腈橡胶密封环。

Figure 402, black nuts and connecting parts are used.

Only the 2" type is available-with nitrile-butadiene rubber seal ring.

FIG 600



靠青铜座提供主密封。推荐用于蒸汽系统，用于生产、钻井和修井的歧管和管线连接。

Main seal is provided by the bronze holder.

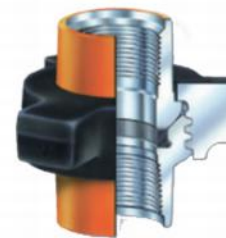
It is recommended for use in the steam system and in the connection of manifold and pipe for production,drilling and well repair.

Nominal pipe size		Total length		Pipck bore		Nut radius		Materials		Weight	
in	mm	in	mm	in	mm	in	mm	Nut	Part	lbs	kgs
1	25.4	3 17/32	89.7	44930	6.4	25/18	58.7	SF	SF	3.5	1.6
2	50.8	6 1/4	158.8	45003	4.8	12145	95.3	SF	SF	15	6.8

600型6000PSI NSCWP，测试压力9000PSI 黑色螺母，银色零件。

For figure 600, 6000PSI NSCWP, test pressure at 9000PSI with black nut and silvery parts

FIG 602



装有弹性丁腈橡胶密封环，用于密封并保护由任钢对钢的配合。推荐用于歧管、管线连接、车载及泥浆输送场合，可用于无压密封由任。

With resilient nitrile-butadiene rubber seal ring, this figure is used for sealing and protecting the steel-to-steel match.

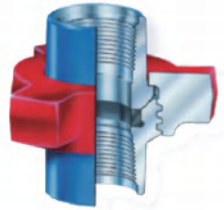
It is recommended for the connection of manifold and pipe and truck -mounted application and mud delivery. It may be used as pressureless seal union with butt weld Sch.80.

Nominal pipe size		Total length		Pipck bore		Nut radius		Materials		Weight	
in	mm	in	mm	in	mm	in	mm	Nut	Part	lbs	kgs
1	25.4	3 17/32	89.7	44930	6.4	26/18	58.75	SF	SF	3.5	1.6
2	50.8	6 1/4	158.8	44930	6.4	30/18	90.5	SF	SF	13.25	5.9
3	76.2	8 1/4	211.1	44993	9.5	16650	117.5	SF	SF	21	9.5
4	101.6	10 1/8	266.7	44993	9.5	18719	133.4	SF	SF	33	15

602型6000PSI NSCWP，测试压力9000PSI 黑色螺母，橙色零件。

For figure 602, 6000PSI NSCWP, test pressure at 9000PSI with black nut and orange parts

FIG 1002



装有弹性丁腈橡胶密封环

推荐用于注水泥、压裂、酸化、测试及堵塞和压井管线场合。设计用于高压系统，包括车载系统。也可用作无压密封由壬。采用对焊Sch.160或XXH。

Resilient nitrile-butadiene rubber seal ring is mounted.

It is recommended for cement filling, fracturing, acidizing, testing and choke and kill line. It is designed for high-pressure systems including truck-mounted system. Also, it may be used as pressureless seal union. Butt weld Sch. 160 or XXH is desired.

Nominal pipe size		Total length		Pipe bore		Nut radius		Materials Nut Part		Weight	
in	mm	in	mm	in	mm	in	mm			lbs	kgs
1	25.4	3 1/2	88.9	1/4	6.4	2 1/4	57.2	SF	SF	3.5	1.6
2	50.8	5 3/8	131.8	1/4	6.4	3 11/16	93.7	SF	SF	13.25	5.9
3	76.2	6 3/8	161.92	3/8	9.5	4 3/8	117.5	SF	SF	21	9.5
4	101.6	8 1/8	204.8	3/8	9.5	5 1/4	133.4	SF	SF	39.5	17.9
5	127	6 4/6	172.7			6	152.4	SF	SF	61.67	28
6	152.4	7 1/8	179.4			7 1/4	184.2	SF	SF	70.48	32

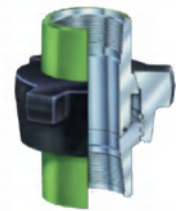
1002型10000PSI NSCW, 测试压力15000PSI 红色螺母，蓝色零件。

#1002型由壬也可用于H2S等酸性气体应用场合。

For figure 1002, 10000PSI NSCW, test pressure at 15000PSI with red nut and blue parts

Figure # 1002 union may also be used in applications with H2S and other acid gases.

FIG 1003



由壬具有一个球形座，可以提供偏离中心71/2度的偏斜或角度调整，总的偏斜能力是15度。除钢对钢的配合外，丁腈橡胶O-型环保证了在任何偏斜位置连接的气密性。推荐用于不能对正时的高压管线连接，可应用于空气、水、油、泥浆或气体使用场合。

With an spheric seat, the union allows a deviation by 7-1/2° from the center or angle adjustment with a total deviation capacity of 15°. In addition to the steel-to-steel match, the nitrile-butadiene rubber O-ring ensures air-tightness in connection at any deflected position.

It is recommended for the connection of high-pressure lines when alignment is impossible.

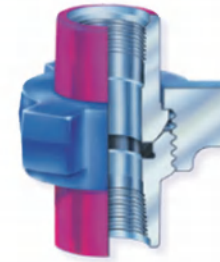
The product may be used in applications with air, water, oil, mud or gas.

Nominal pipe size		Connection	Total length		Nut radius		Materials Nut Part		Weight	
in	mm		in	mm	in	mm			lbs	kgs
3	76.2	NPT	9 1/8	231.8	4 7/8	123.8	SC	AS	45	20.5
3	76.2	Sch160	8 7/8	225.4	4 7/8	123.8	SC	AS	47.5	21.6
3	76.2	XXHVY	9 1/8	231.8	4 7/8	123.8	SC	AS	48.5	22.0
4	101.6	HPT	10 15/16	277.8	5 3/4	146	SF	SF	72	32.7
4	101.6	SCH160	10 11/16	271.5	5 3/4	146	SF	AS	76	34.5
4	101.6	XXHVY	10 15/16	277.8	19450	146	SF	AS	78	35.5
5	127	SCH160	103/.	273.1	53/.	146	SF	AS	74	33.6
5	127	XXHVY	10 15/16	277.8	44989	146	SF	AS	76.5	34.8

1003型10000PSI NSCW, (7500psi nscwp 4in 5in) 黑色螺母，绿色零件。

For figure1003, 10000PSI NSCW (7500 PSI NSCW, 4in, 5in) with black nut and green parts

FIG 1502



配有可更换的弹性丁腈橡胶密封环，坚固壁厚设计用于高压系统。

推荐用于注水泥、压裂、酸化、测试及堵塞和压井管线，也可用于无压密封连接，采用对焊Sch XXH。

With replaceable resilient nitrile-butadiene rubber seal ring and robust wall thickness design, this figure is used in high-pressure system.

It is recommended for cement filling, fracturing, acidizing, testing and choke and kill line. Also, it may be used in pressureless seal connection. Butt weld Sch. XXH is desired.

Nominal pipe size		Total length		Pipe bore		Nut radius		Materials Nut Part		Weight	
in	mm	in	mm	in	mm	in	mm			lbs	kgs
1 1/2	38.1	5 13/32	137	1/4	6.4	3 21/32	93	SF	SF	12	5.4
2	50.8	7	177.8	16/84	6	3 3/4	95.3	SF	SF	21	9.5
3	76.2	7 6/8	193.7	3/8	9.5	4 1/2	114.3	SF	SF	31	14.1

1502型15000PSI NSCW, 测试压力22500PSI 蓝色螺母，红色零件。

For figure 1502, 1500PSI NSCW, test pressure at 22500PSI with blue nut and red parts

FIG 2002



此种由壬只有2in一种风格，配有一个可更换的弹性丁腈橡胶密封环组合在不锈钢衬管中，在超压力应用场合提供完全的挤压保护。可拆开的螺母/扇形环/持环设计简化了螺母从管道上的拆卸。高、中、低压由壬

For this union, only the 2in type is available with a replaceable resilient nitrile-butadiene rubber seal ring combined in the stainless steel liner tube, providing complete compression protection in application with extra high pressure. The design of detachable nut/segment ring/retainer ring simplifies the removal of the nut from the piping.

Nominal pipe size		Total length		Nut radius		Materials Nut Part		Weight	
in	mm	in	mm	in	mm			lbs	kgs
2	50.8	7 3/8	187.32	3 11/16	93.66	SF	AS	22.5	10.2

FIG 2202



配有氟化橡胶密封环，15000PSI NSCW,热处理部件100%经过硬度测试，符合美国腐蚀工程师标准协会MR-01-75和美国石油学会RP-14E标准。

专门用于酸性气体使用场合。绿色螺母，绿色零件。

注：DIC=可锻铸铁 SC=铸钢 SF=锻钢 AS=合金钢

With fluoroelastomer seal ring, 15000PSI NSCW and the heat-treated parts 100% subjected to hardness test, this model complies with National Association of Corrosion Engineers Standard MR-01-75 and American Petroleum Institute RP-14E.

This product is designated for application with acid gases. Green nuts and parts. Note: DIC = ductile iron casting SC = steel casting SF = steel forging AS = alloy steel

FIG 1502



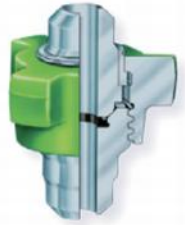
配有可更换的弹性丁腈橡胶密封环，坚固壁厚设计用于高压系统。
推荐用于注水泥、压裂、酸化、测试及堵塞和压井管线，也可用于无压密封连接，采用对焊Sch XXH。

With replaceable resilient nitrile-butadiene rubber seal ring and robust wall thickness design, this figure is used in high-pressure system. It is recommended for cement filling, fracturing, acidizing, testing and choke and kill line. Also, it may be used in pressureless seal connection. Butt weld Sch. XXH is desired.

Nominal pipe size		Total length		Pipe bore		Nut radius		Materials Part		Weight	
in	mm	in	mm	in	mm	in	mm	Nut	Part	lbs	kgs
1 1/2	38.1	5 13/32	137	1/4	6.4	3 21/32	93	SF	SF	12	5.4
2	50.8	7	177.8	16/84	6	3 3/4	95.3	SF	SF	21	9.5
3	76.2	7 6/8	193.7	3/8	9.5	4 1/2	114.3	SF	SF	31	14.1

1502型15000PSI NSCWP，测试压力22500PSI 蓝色螺母，红色零件。
For figure 1502, 1500PSI NSCWP, test pressure at 22500PSI with blue nut and red parts

FIG 2002



此种由壬只有2in一种风格，配有一个可更换的弹性丁腈橡胶密封环组合在不锈钢衬管中，在超压力应用场合提供完全的挤压保护。可拆开的螺母/扇形环/持环设计简化了螺母从管道上的拆卸。高、中、低压由壬
For this union, only the 2in type is available with a replaceable resilient nitrile-butadiene rubber seal ring combined in the stainless steel liner tube, providing complete compression protection in application with extra high pressure. The design of detachable nut/segment ring/retainer ring simplifies the removal of the nut from the piping.

Nominal pipe size		Total length		Nut radius		Materials Part		Weight	
in	mm	in	mm	in	mm	Nut	Part	lbs	kgs
2	50.8	7 3/8	187.32	3 11/18	93.66	SF	AS	22.5	10.2

FIG 2202



配有氟化橡胶密封环，15000PSI NSCWP,热处理部件100%经过硬度测试，符合美国腐蚀工程师标准协会MR-01-75和美国石油学会RP-14E标准。

专门用于酸性气体使用场合。绿色螺母，绿色零件。

注：DIC=可锻铸铁 SC=铸钢 SF=锻钢 AS=合金钢

With fluoroelastomer seal ring, 15000PSI NSCWP and the heat-treated parts 100% subjected to hardness test, this model complies with National Association of Corrosion Engineers Standard MR-01-75 and American Petroleum Institute RP-14E.

This product is designated for application with acid gases. Green nuts and parts.
Note: DIC = ductile iron casting SC = steel casting SF = steel forging AS = alloy steel